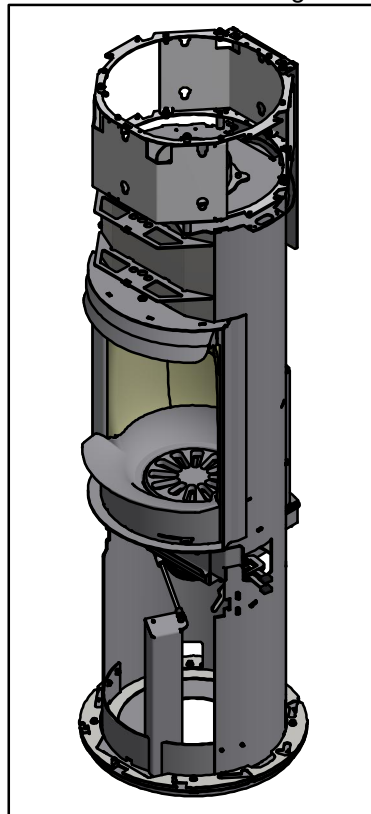
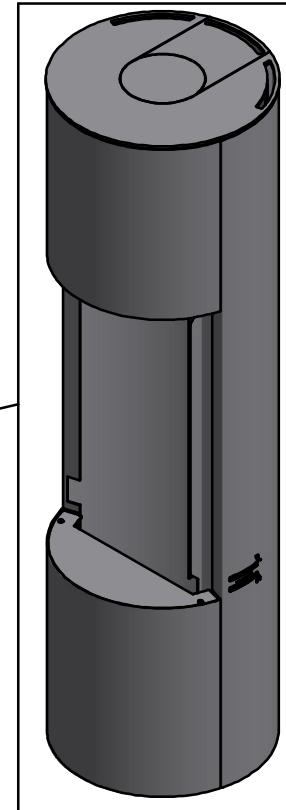


Spare parts & Accessories: Scan 84, Modern maxi

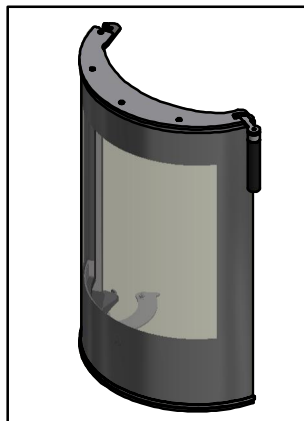
Korpus Page: 2-8



Mantle Page 10

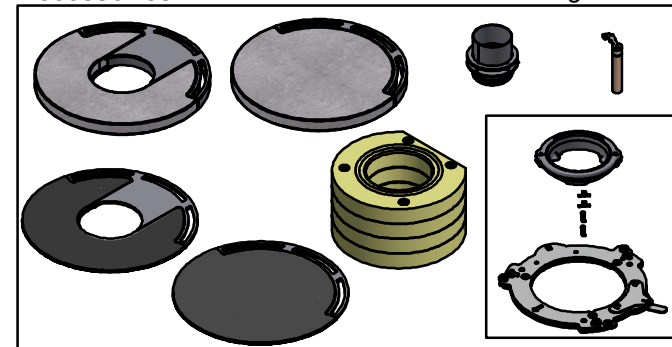


Modern door Page: 9



Accessories

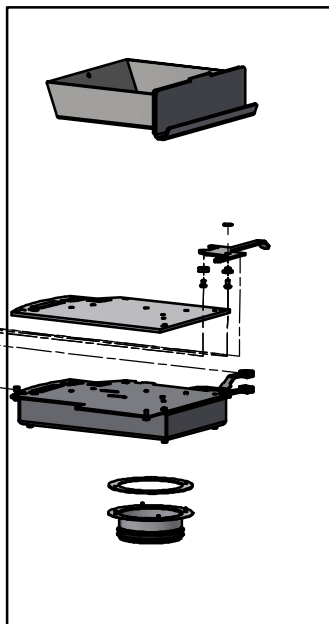
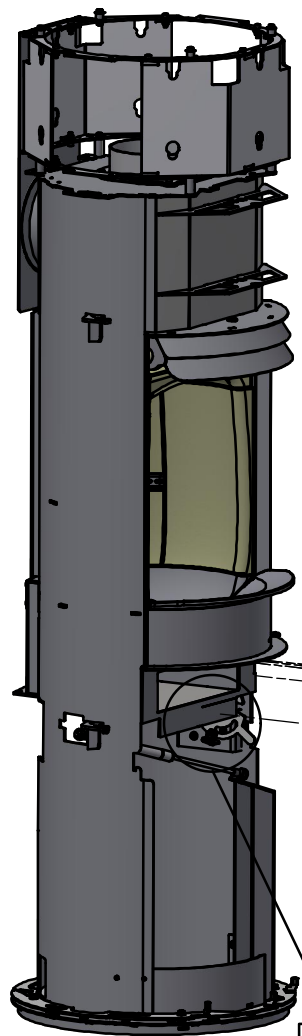
Page: 11-12



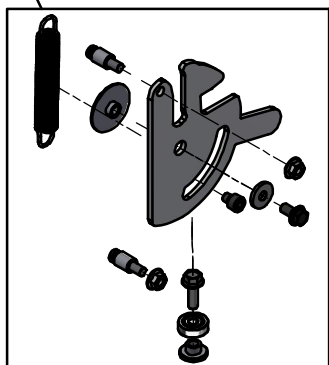
Date: 24-11-2022	Constructed /Changed by: rin/sr/Jm
Drawing number: 90184103	

SCAN A/S
DK-5492 Vissenbjerg©



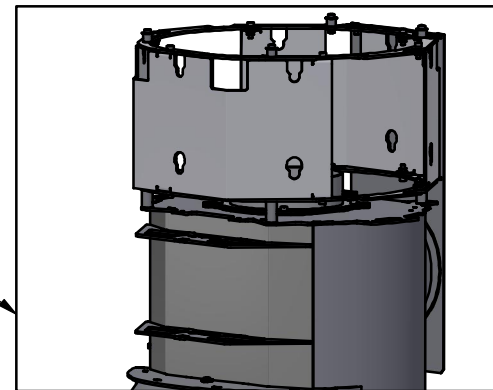


Page 3

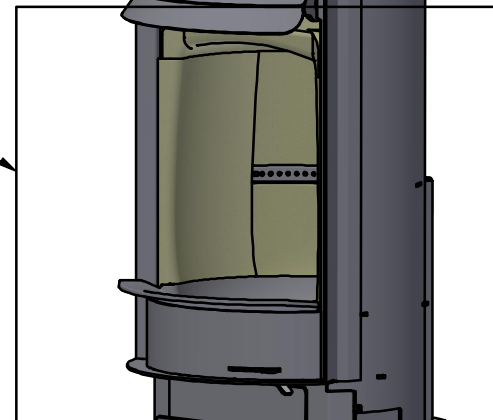


Page 4

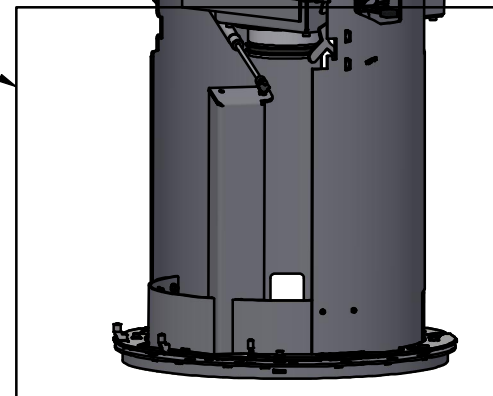
Page 5



Page 6



Page 7



Date: 24-11-2022

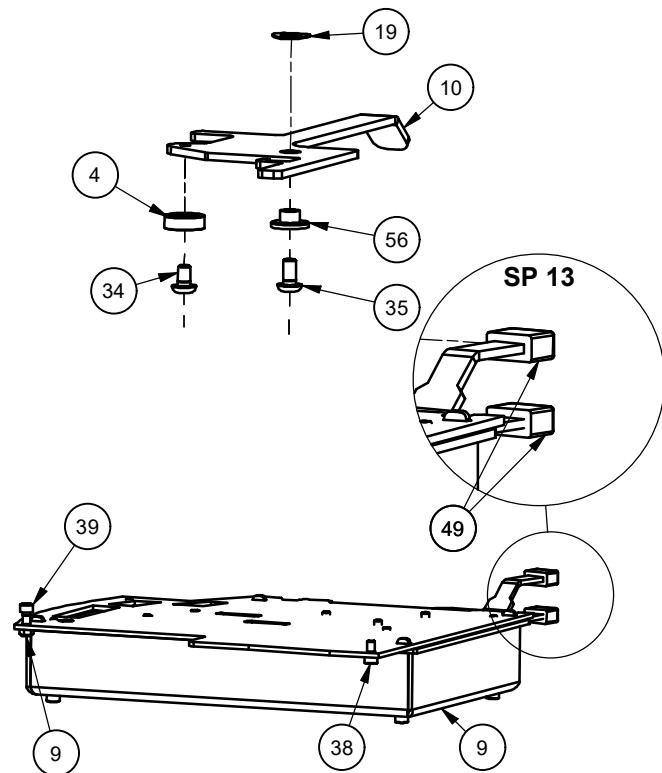
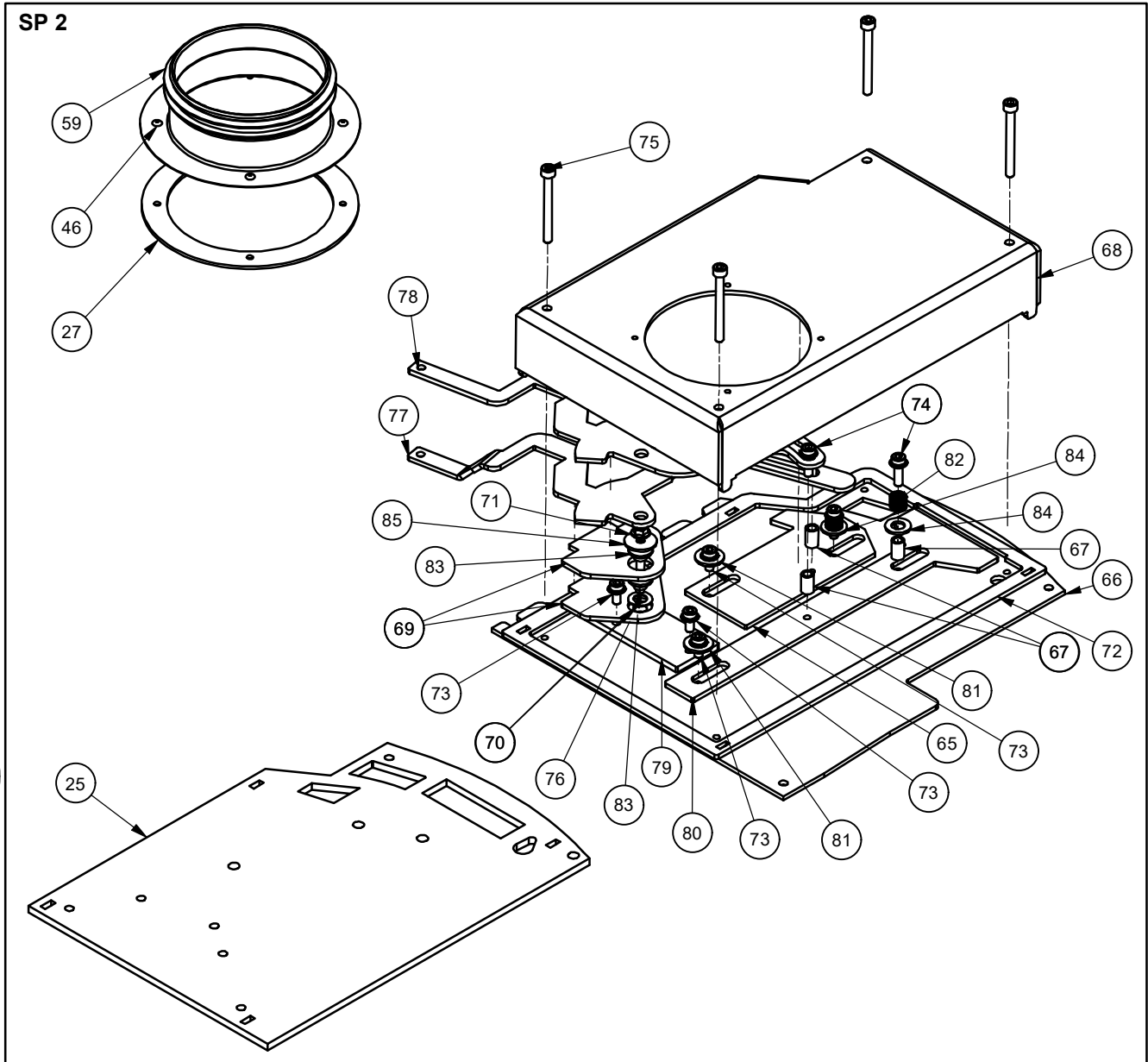
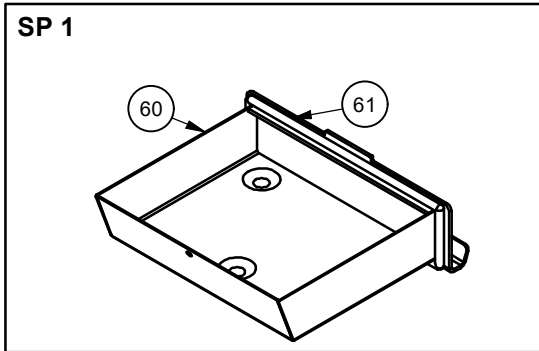
Constructed /Changed by: rin/sr/Jm

Drawing number: 90184103

SCAN A/S
DK-5492 Vissenbjerg©

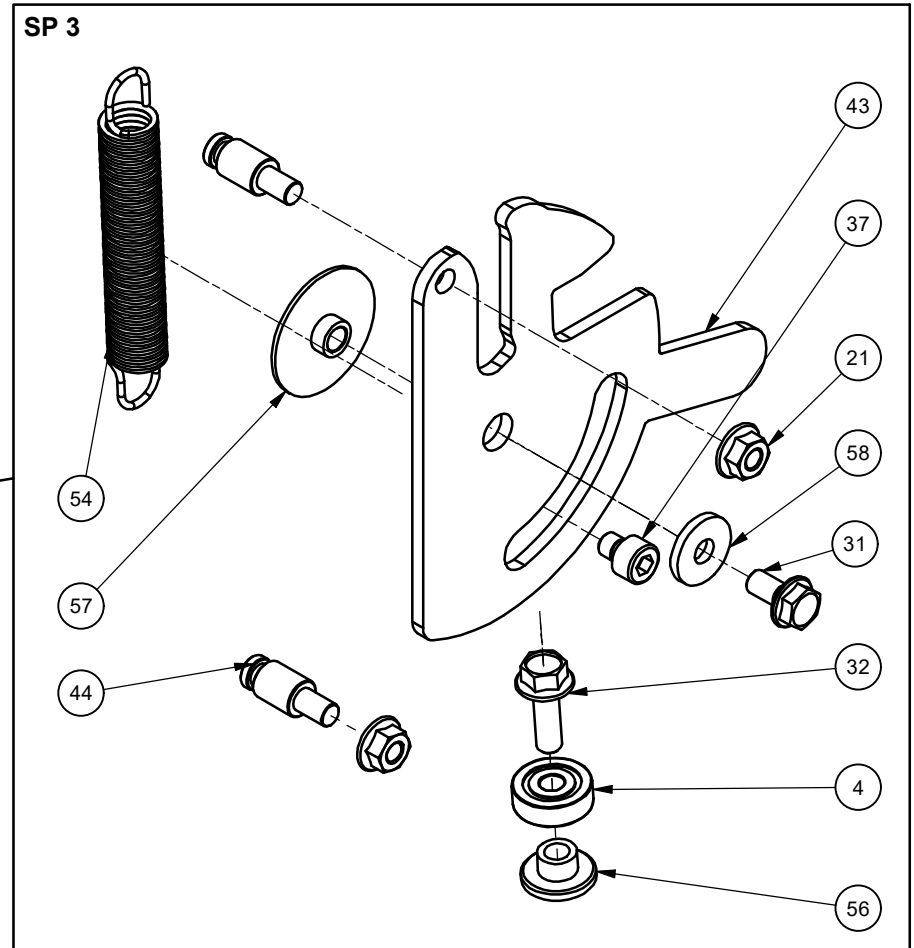
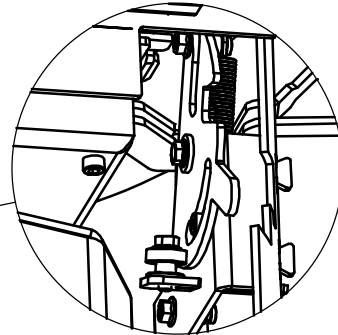
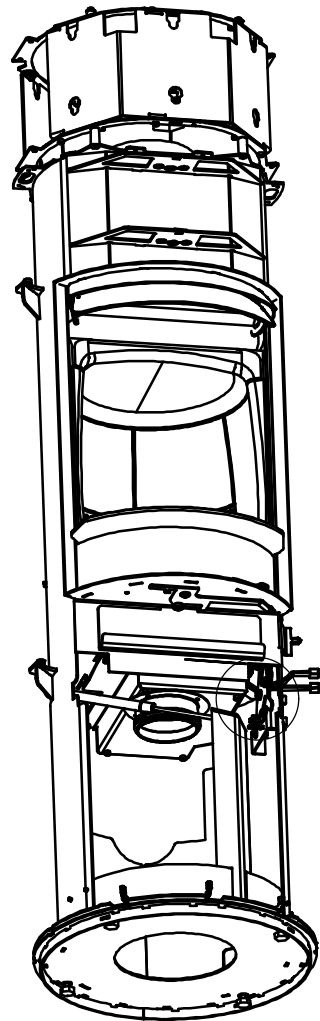


Spare parts & Accessories: Scan 84, Modern maxi



Date: 24-11-2022	Constructed /Changed by: rin/sr/Jm	SCAN A/S DK-5492 Vissenbjerg©
Drawing number: 90184103		



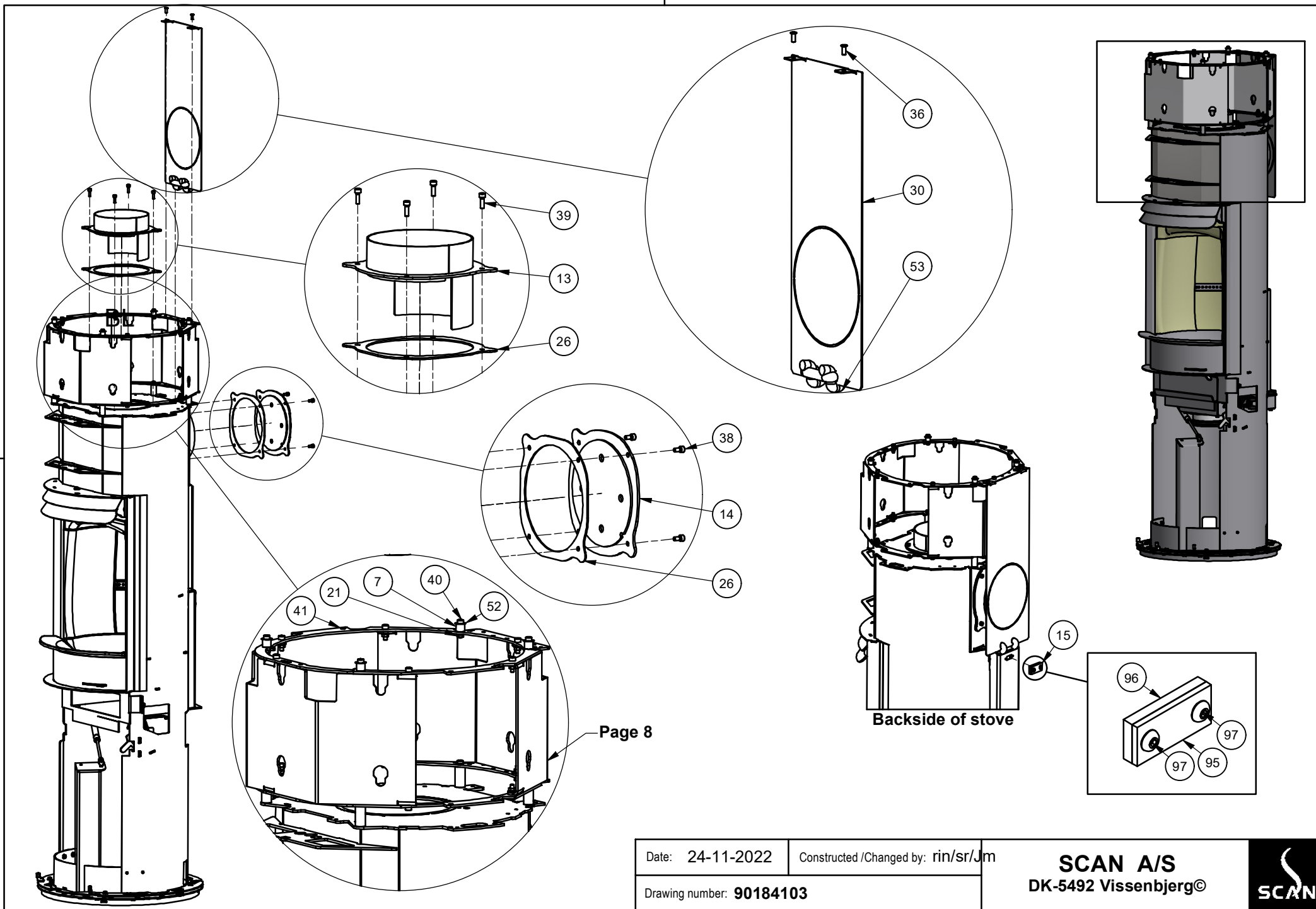


Date: 24-11-2022	Constructed /Changed by: rin/sr/Jm
Drawing number: 90184103	

SCAN A/S
DK-5492 Vissenbjerg©



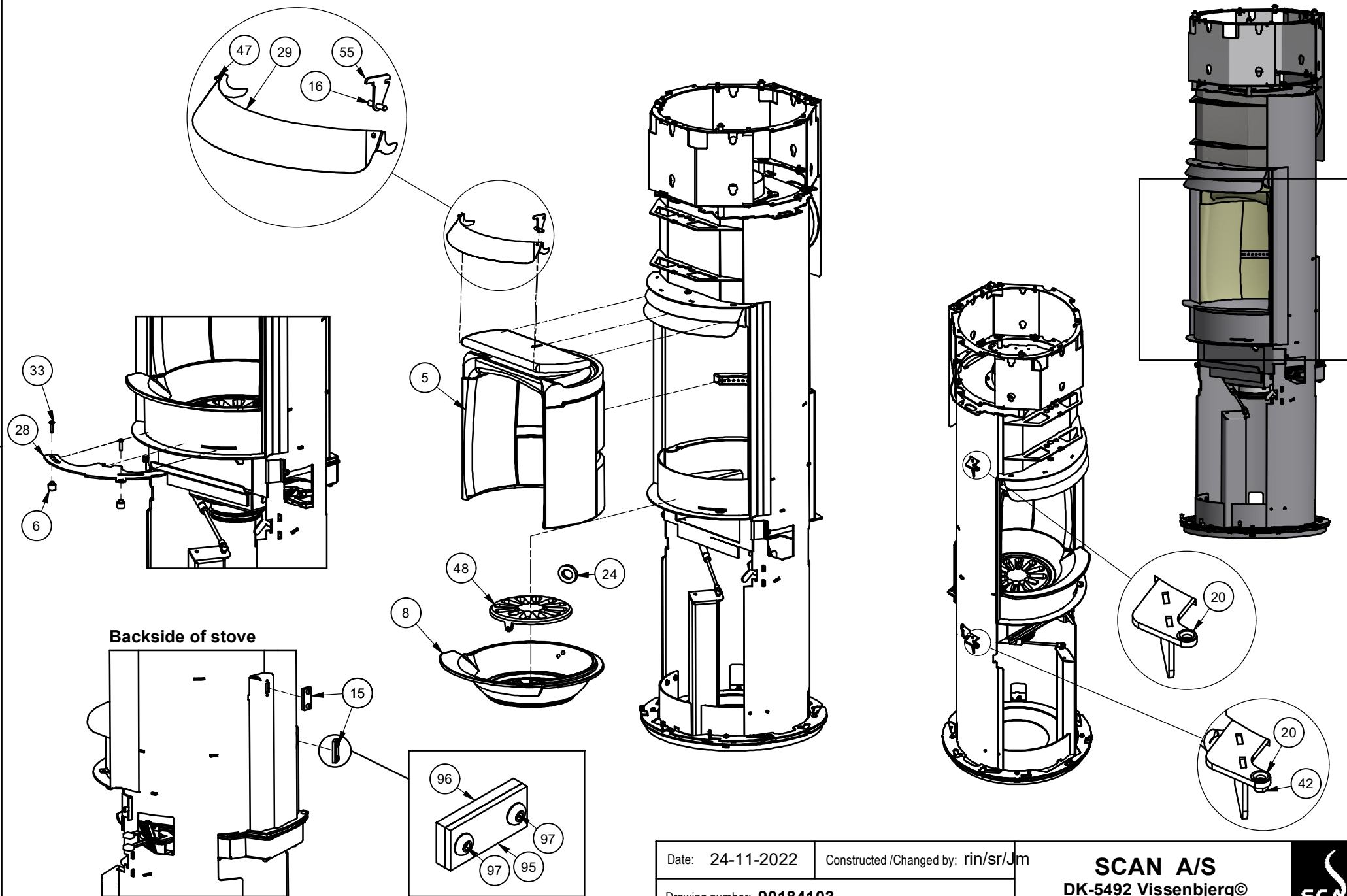
Spare parts & Accessories: Scan 84, Modern maxi



Page 8

Date: 24-11-2022	Constructed /Changed by: rin/sr/Jm	SCAN A/S DK-5492 Vissenbjerg©	
Drawing number: 90184103			

Spare parts & Accessories: Scan 84, Modern maxi

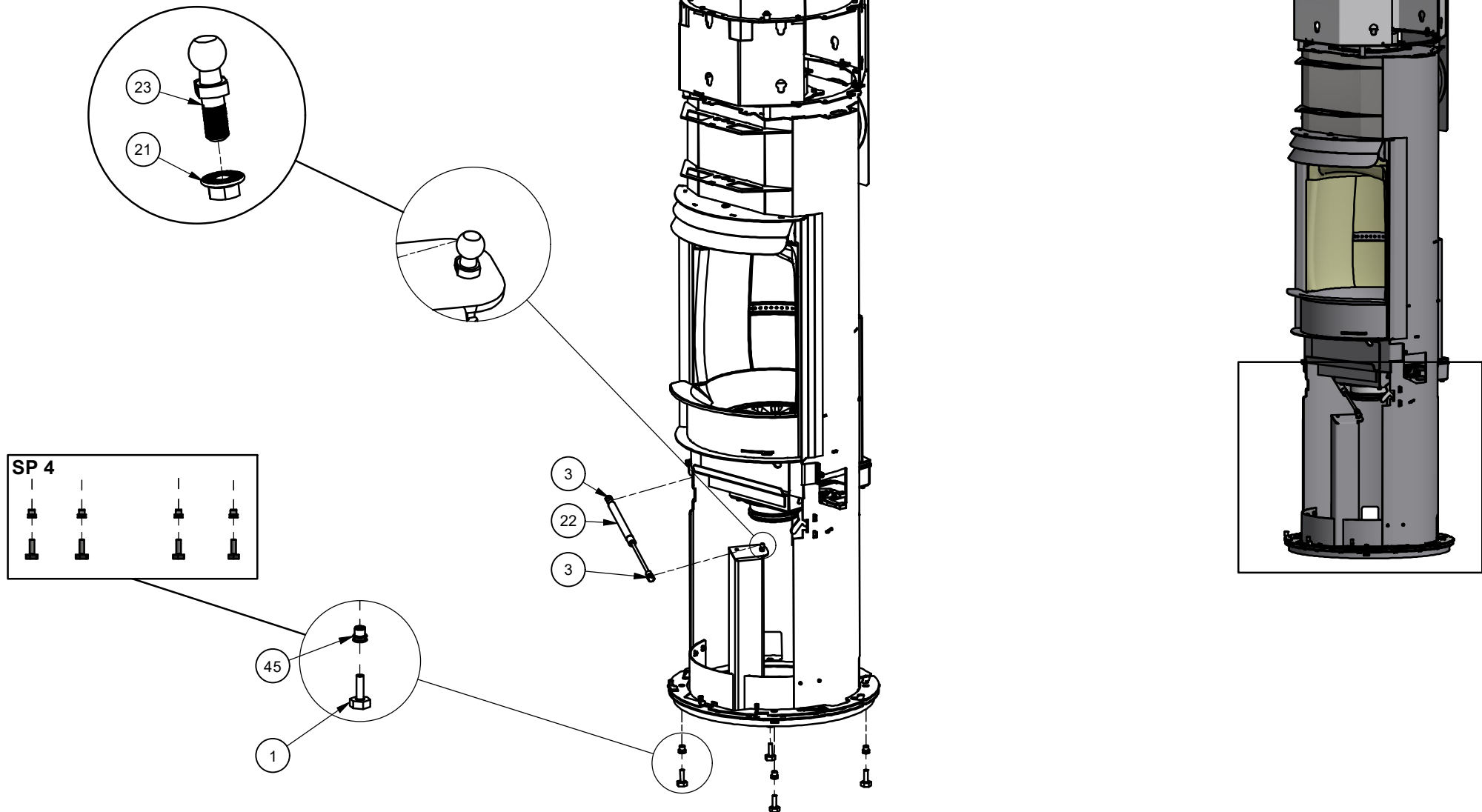


Date: 24-11-2022 Constructed /Changed by: rin/sr/Jm
 Drawing number: **90184103**

SCAN A/S
 DK-5492 Vissenbjerg®



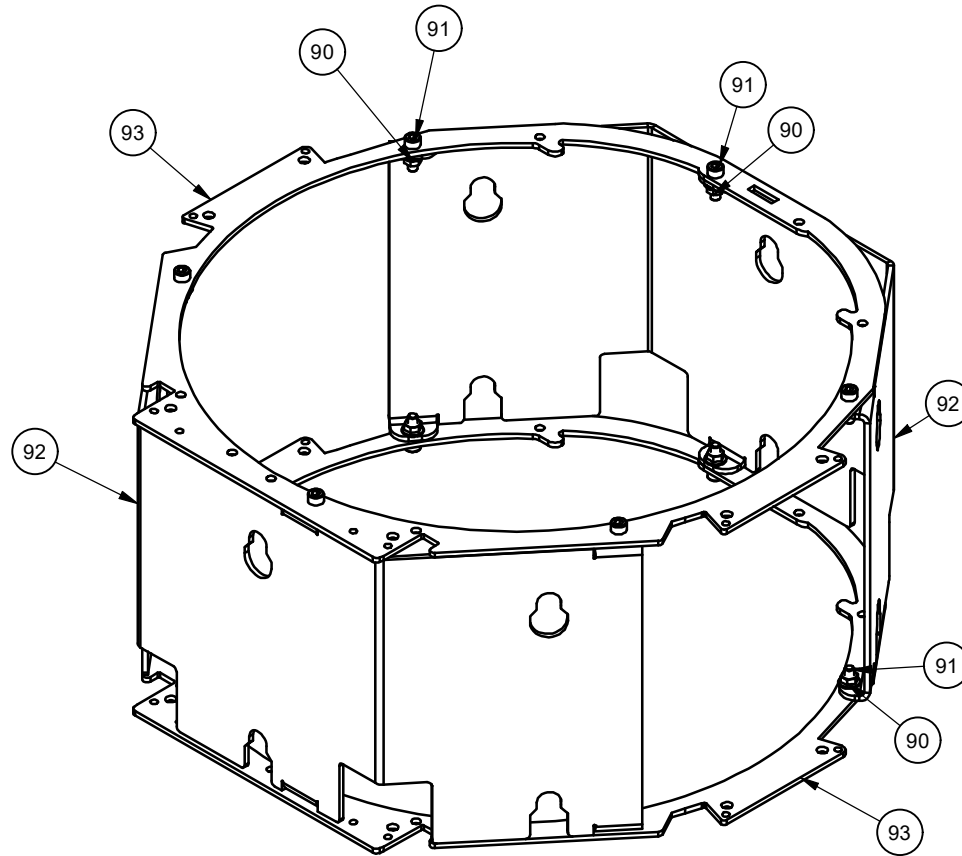
Spare parts & Accessories: Scan 84, Modern maxi



Date: 24-11-2022	Constructed /Changed by: rin/sr/Jm
Drawing number: 90184103	

SCAN A/S
DK-5492 Vissenbjerg©



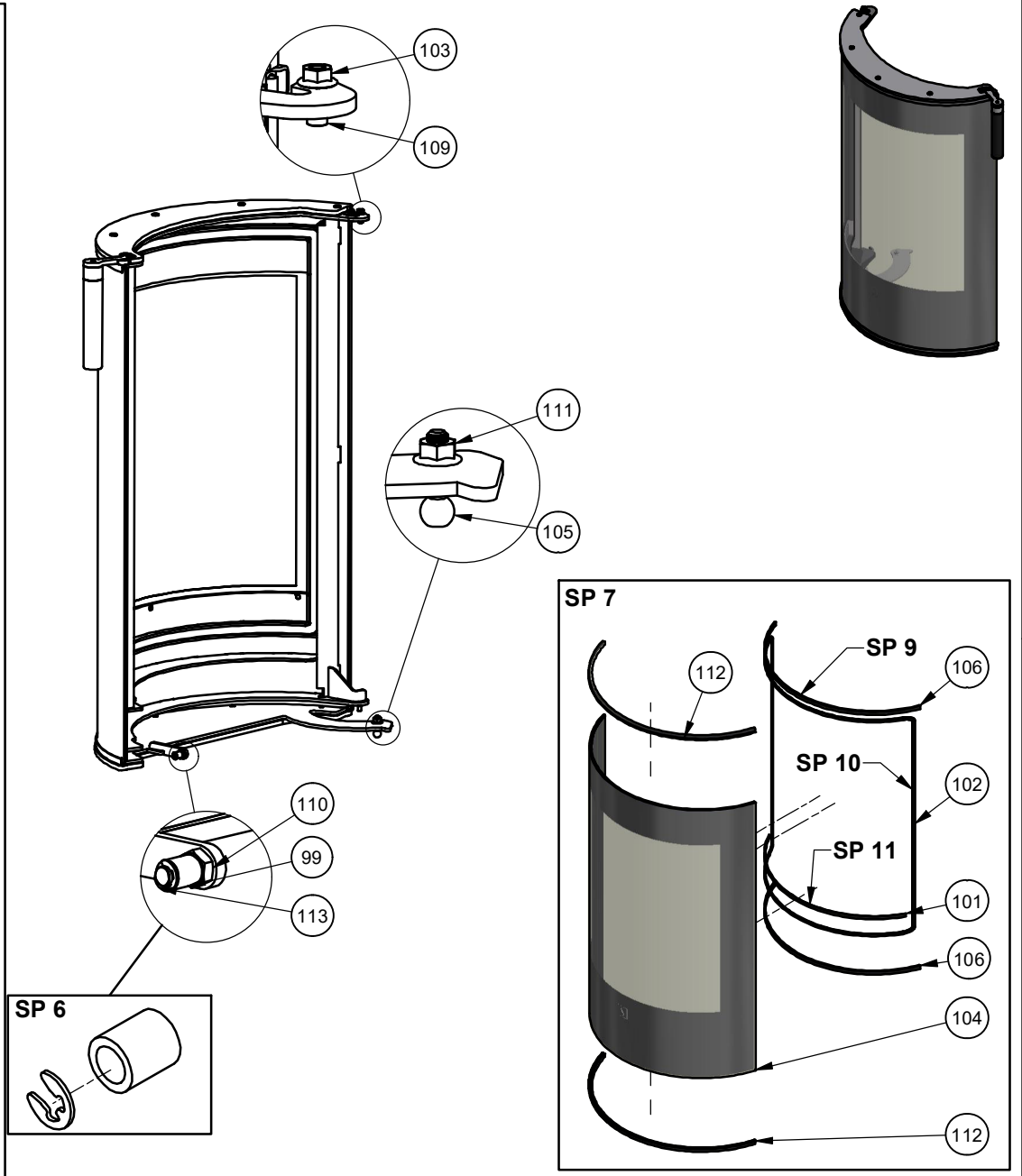
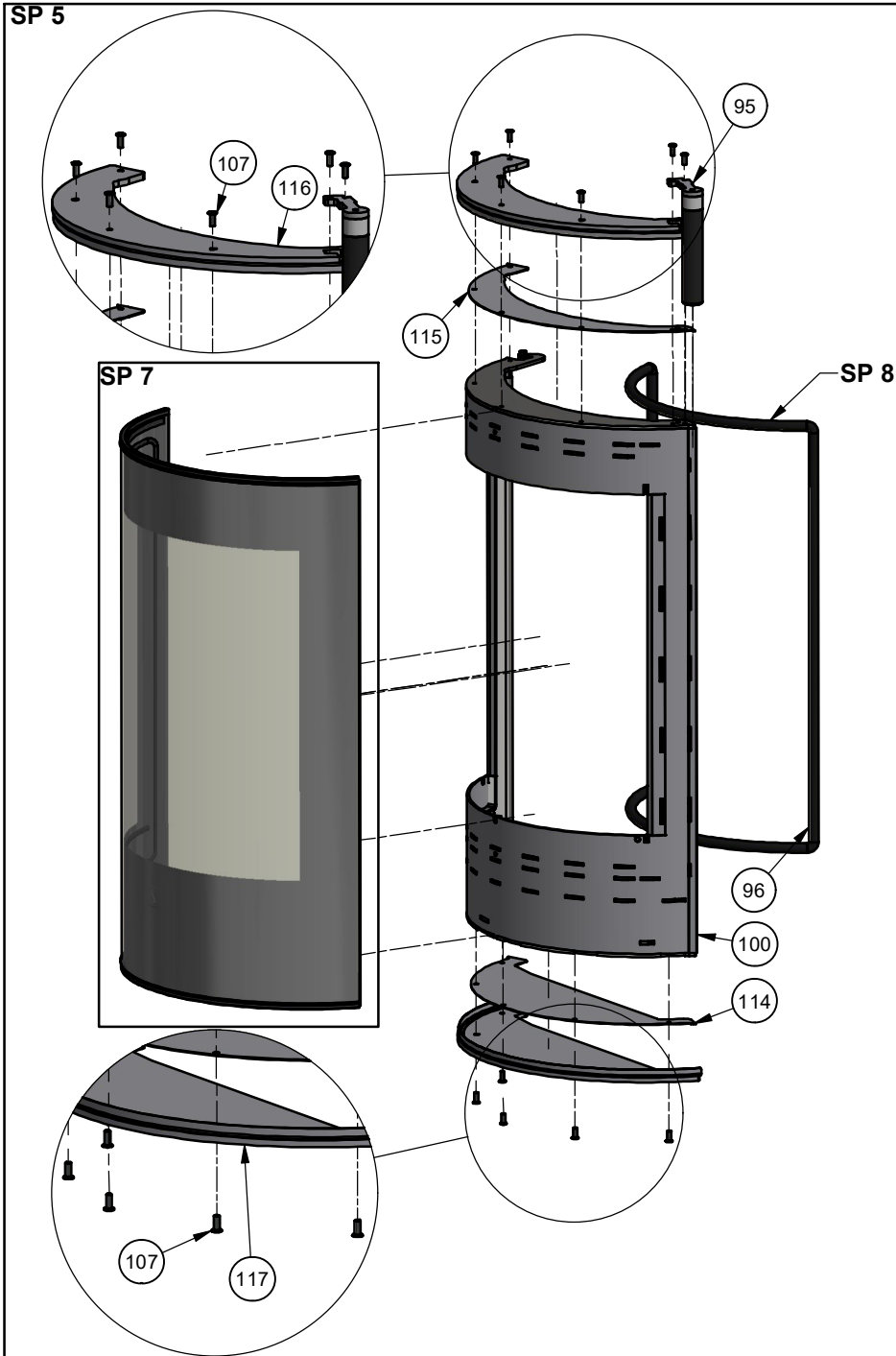


Date: 24-11-2022	Constructed /Changed by: rin/sr/Jm
Drawing number: 90184103	

SCAN A/S
DK-5492 Vissenbjerg©



Spare parts & Accessories: Scan 84, Modern maxi



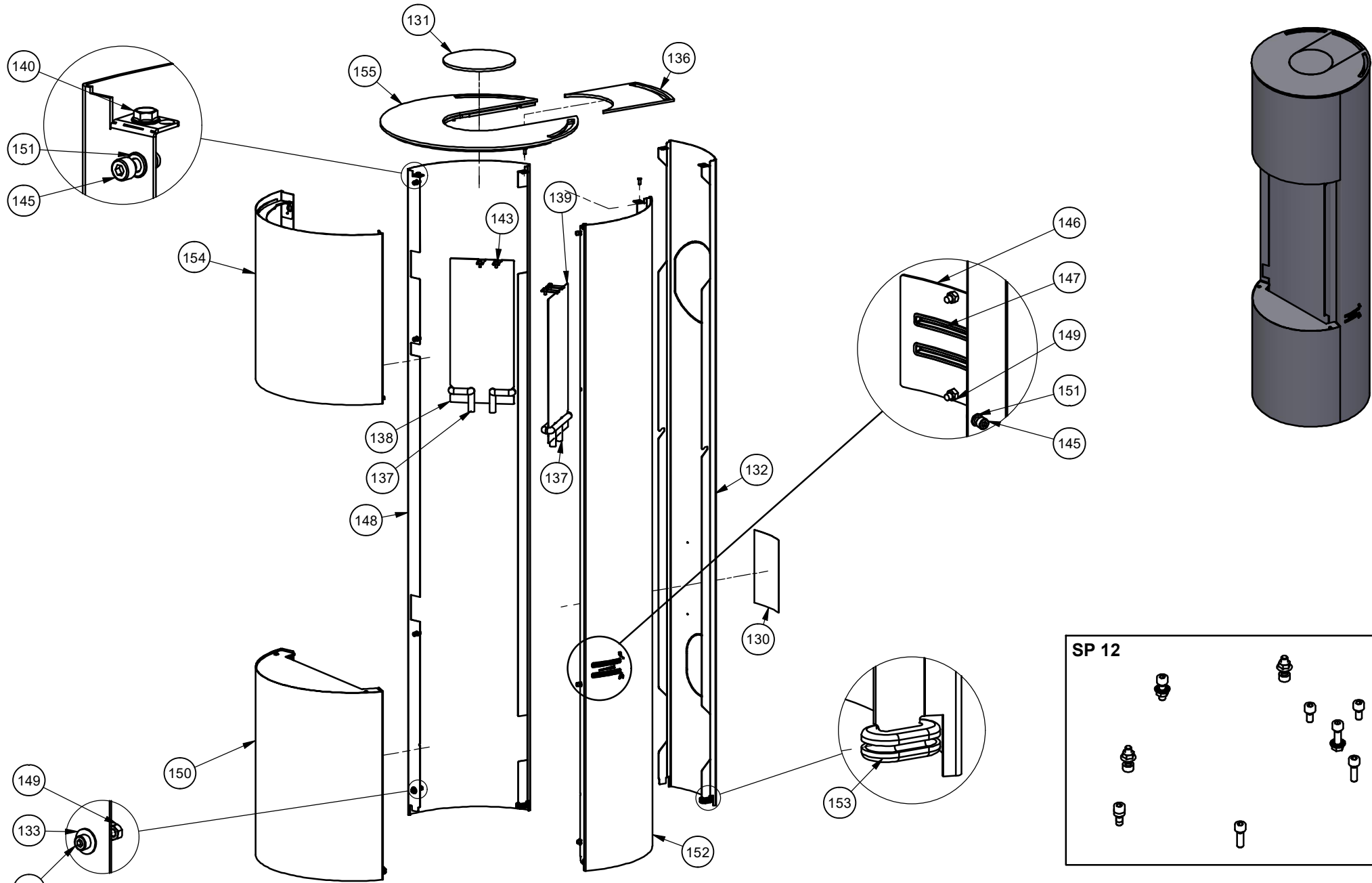
Date: 24-11-2022 Constructed /Changed by: rin/sr/Jm

Drawing number: **90184103**

SCAN A/S
DK-5492 Vissenbjerg©



Spare parts & Accessories: Scan 84, Modern maxi

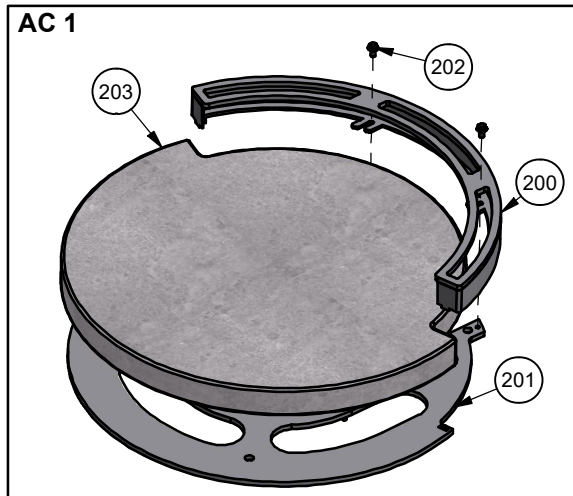


Date: 24-11-2022 Constructed /Changed by: rin/sr/Jm
 Drawing number: 90184103

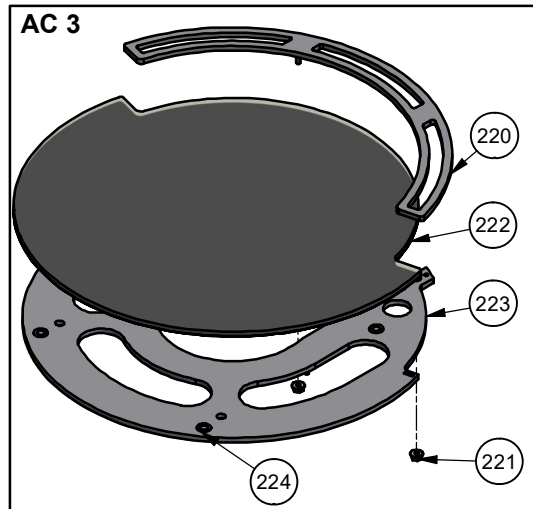
SCAN A/S
 DK-5492 Vissenbjerg©



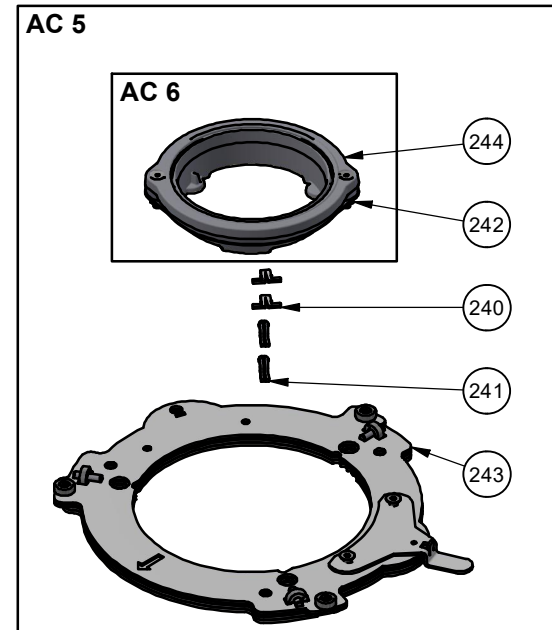
AC 1



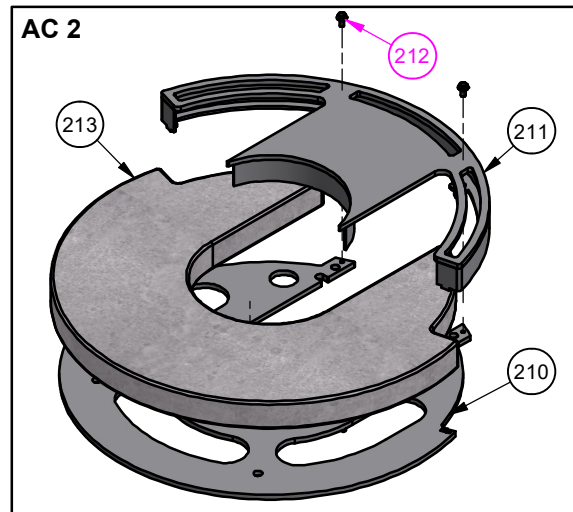
AC 3



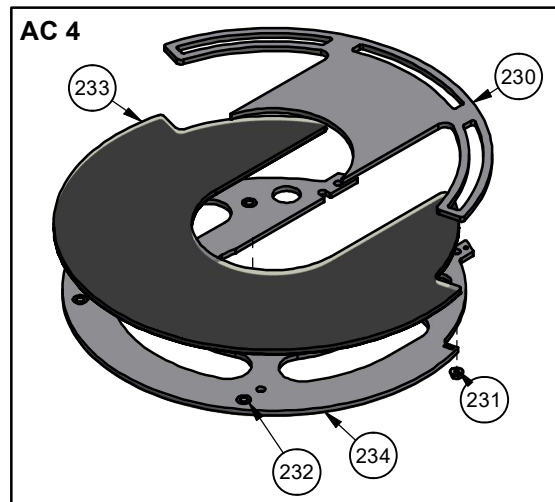
AC 5



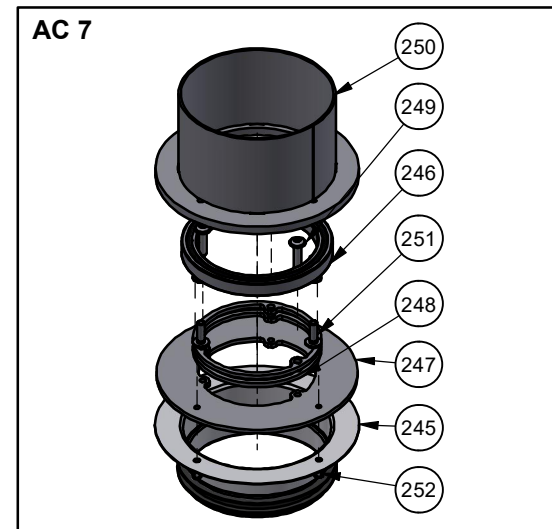
AC 2



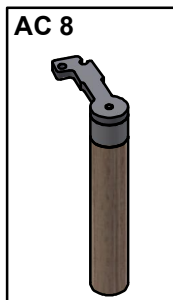
AC 4



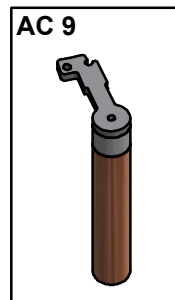
AC 7



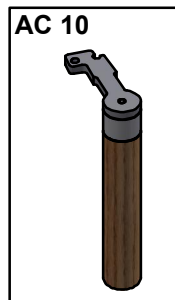
AC 8



AC 9



AC 10



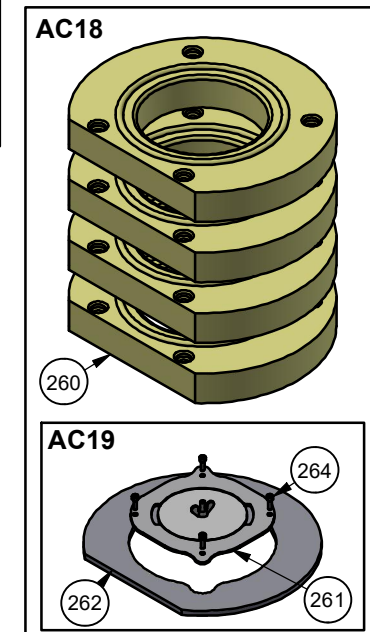
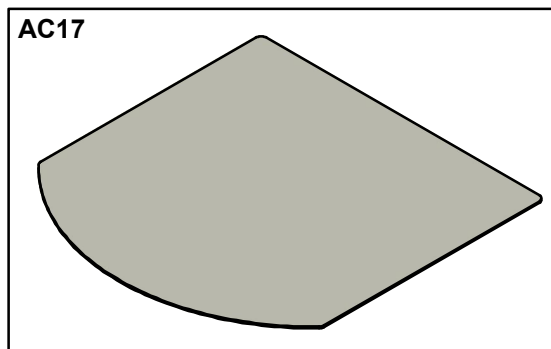
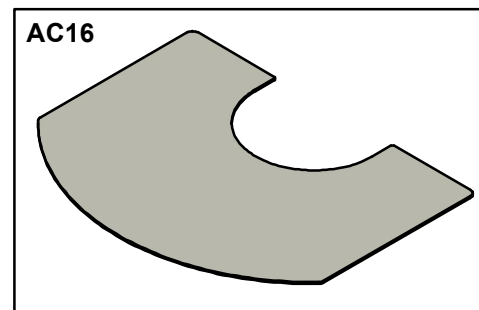
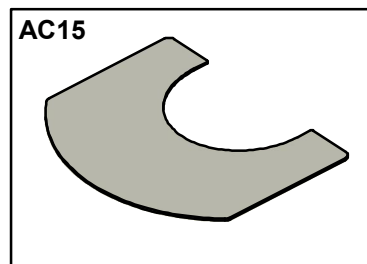
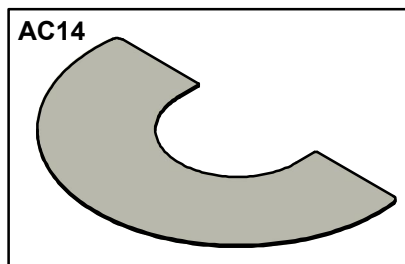
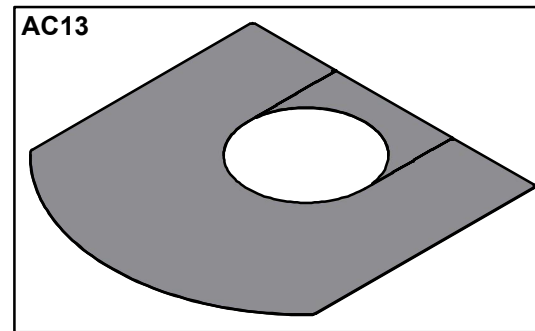
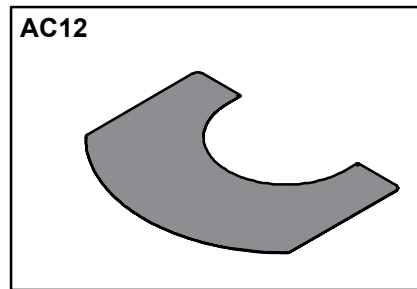
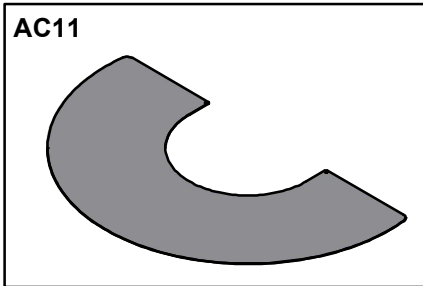
Date: 24-11-2022

Constructed /Changed by: rin/sr/Jm

Drawing number: 90184103

SCAN A/S
DK-5492 Vissenbjerg©





Date: 24-11-2022	Constructed /Changed by: rin/sr/Jm
Drawing number: 90184103	

SCAN A/S
DK-5492 Vissenbjerg©



Spare parts & Accessories: Scan 84, Modern maxi

Korpus Scan 84-3/4

POS.	ART. NO.	SALES NO.	NAME	LEGTH	QTY.
1	10045969		Adjustment screw 19x19 - M8 x 30		4
2		51046852	Ash drawer		1
3	10046005		Ball head M6, Ø10 (item nr. 4597)		2
4	10007726		Bearing, SKF 625 - 2Z/C3 (ø16xø5x5mm)		2
5		51046796	Kit vermiculite		1
6	10045475		Bushing, handle for riddling grate		2
7	10059758		bushings for high version		4
8		51046797	Castiron buttom		1
9	10060387		Closed combustion box		1
10	10058191		Closing lever for ash drawer		1
11	10059986		Combustion chamber, assembly		1
12	12054891		Connecting piece for tube inside. SC 83		1
13		51046851	Conneting piece, welded		1
14		51046855	Cover for flue outlet		2
15			Cover plate for cleaning the burnchamber		3
16	10045971		Cylinder pin ø6*30, stainless steel, A2		1
17	12059474		ECO-Label, Scan 84		1
18	12060996		ECO-Label, Scan 84 UK		1
19	10004954		Spring washers, curved, ø8/Ø15x0,5 HFC 1245		1
20	10004960		Flangebushing LEPCMF 06084 B		2
21	10004953		Flangenut w. ripp M5		7
22		51046817	Gas spring SC 83/84		1
23		51046819	Gasdamper attachment		1
24		51046914	Gasket for cast iron buttom		1
25	10045966		Gasket for combustion box, ceramic paper		1
26		51046849	Gasket for connectingpiece		2
27	10046125		Gasket for fresh air adapter		1
28	10059730		Handle for riddling grate		1
29	10046446		Heat shield for air lib		1
30	12061045		Heat shield high version		1
31	10004753		Hex head screw with flange, M5 x 10, black		1
32	10004788		Hex head screw with flange, M5 x 16, black		1
33	10004798		Hex socket button head w. flange, M5 x 20		2
34	10004791		Hex socket button head, M5 x 8		1
35	10004783		Hex socket button head, M5 x 10		1
36	10059742		Hex socket flat head, M5 x 12, black		2

Date: 24-11-2022

Constructed /Changed by: rin/sr/Jm

Drawing number: 90184103

SCAN A/S
DK-5492 Vissenbjerg©




Spare parts & Accessories: Scan 84, Modern maxi

POS.	ART. NO.	SALES NO.	NAME	LEGTH	QTY.
37	10004805		Hex socket head cap, M5 x 6		1
38	10004816		Hex socket head cap, M5 x 10, black		9
39	10004838		Hex socket head cap, M5 x 16, black		5
40	10004815		Hex socket head cap, M5 x 20		4
41			High top assembly (soapstone)		1
42	10007642		Lock nut M5, metal		2
43	10058190		Locking device for door (dolphin)		1
44	10046276		Pin for closingspring		2
45	10045630		Popnut M8 (for sheet thickness 3,0 - 5,5 mm)		4
46	10007617		Poprivet M3,2 x 7,9		4
47	10007632		Poprivet ø4 x 8 stainless steel		2
48		51005837	Riddling grate, upper part, drilled		1
49	10059982		silicone button for damper (SH60)		2
50	12062226		Silicone tube Ø8/Ø4x11		3
51	20061015		Silicone tube Ø8/Ø4*11		1
52	10059983		Silicone washer Ø15 x 8,5 x 0,5		4
53	10043740		Sort glassnor ø14 (hård) til maxi varmeskjold		1
54		51046818	Spring (SF-DF-3438-Lesjofors)		1
55		51046847	Support piece for baffle plate		1
56	10004626		Valve holder (center) Ø8/15x4,5		2
57	10046273		Washer for dolphin lock		1
58	10007709		Washer, M5, wo. fazet FZB		1
59	10003146		ø100 Sleeve with flange		1

SP 1: Ash drawer: 51046852

POS.	ART. NO.	SALES NO.	NAME	LEGTH	QTY.
60	10058189		Welded ash tray		1
61	10004744		Black knitted glass rope, ø8		1

Date: 24-11-2022	Constructed /Changed by: rin/sr/Jm	SCAN A/S DK-5492 Vissenbjerg©	
Drawing number: 90184103			

Spare parts & Accessories: Scan 84, Modern maxi

SP 2: Closed combustion box: 51061491

POS.	ART. NO.	SALES NO.	NAME	LEGTH	QTY.
65			Attachment for primary damper		1
66			Bottomplate for closed combustion box		1
67	10038025		Bushing for springloaded damper Ø7,9x12,5		4
68		51061491	Combustion box		1
69	10046122		Damper gasket SC 83		2
70	10004954		Spring washers, curved, ø8/Ø15x0,5 HFC 1245		2
71	10004953		Flangenut w. ripp M5		1
72	10046123		Gasket for closed combustion box		1
73	10049333		Hex socket head cap w. flange, M5 x 10, black		4
74	10049335		Hex socket head cap w. flange, M5 x 16, black		4
75	10007710		Hex socket head cap, M5 x 50, FZB		4
76	10046398		Pinol M5 x 25 (DIN 551/BN 427)		1
77			Primary damper		1
78			Secondary damper		1
79			Spacer for primary damper		1
80			Spacer for secondary damper		1
81	10004627		Spacer washer Ø8/18x3,3		2
82	10038031		Spring for damper (Di=8,3 - Lo=12 - Dt=1)		2
83	10004626		Valve holder (center) Ø8/15x4,5		2
85	10046397		Washer ø5,3/20 x 1,5 (HV140)		1
84	10008004		Washer Ø8/Ø16*1.5 (DIN 125 A)		2

SP 3: Spare part kit, Locking mechanism: 51061261

High top assembly:

POS.	ART. NO.	SALES NO.	NAME	LEGTH	QTY.
90	10004953		Flangenut w. ripp M5		12
91	10004838		Hex socket head cap, M5 x 16, black		12
92	12058862		Spacer for soapstone maxi		2
93	12061037		Spacer to cover parts SC 84 maxi		2

Cover plate

POS.	ART. NO.	SALES NO.	NAME	LEGTH	QTY.
95	10058090		Cover plate		1
96	12055192		Gasket to cover plate		1
97	10004791		Hex socket button head, M5 x 8		2

Date: 24-11-2022

Constructed /Changed by: rin/sr/Jm

Drawing number: 90184103

SCAN A/S
DK-5492 Vissenbjerg©



Spare parts & Accessories: Scan 84, Modern maxi

SP 4: Spare part kit, Set with 4 screws: 51046856

SP 5: Modern door - Spare part: 51061466

POS.	ART. NO.	SALES NO.	NAME	LEGTH	QTY.
95		51061380	Assembly for wood handle, black		1
96	10043740		Black cord Ø14 (hard)	2,5 m	1
97	10038105		Black silicone 320 degr.		1
98	10046274		Bottom hinge pin for door		1
99	10038034		Oil bronze bearing Ø6/Ø9x10		1
100	10059988		Door, welded (modern)		1
101	10048732		Fiberglass robe w. tape Ø8	0,5 m	1
102	10047432		Fiberglass rope Ø6 w tape	2 m	1
103	10004953		Flangenut w. ripp M5		2
104	10059746		Frontglass		1
105		51046819	Gasdamper attachment		1
106	10007913		Glass gasket w. glue, 8x3mm, black	0,6 m	2
107	10059742		Hex socket flat head, M5 x 12, black		11
108	10004799		Hex socket set screws M5 x 5		1
109	10043926		Hinge pin for door		1
110	10046272		Locking pin for door		1
111	10007639		M6 FL.nut Din 6923 galvanized Steel 8		1
112	10051950		Silicone gasket for front glass		2
113	10038086		Snap ring, DIN 6799 - Ø4 from magasin		1
114	12061038		support plate door bottom		1
115	12061028		support plate door top		1
116	12061027		Welded top for modern door		1
117	12061025		welded glass holder botton		1

SP 6: Spare part kit, Locking pin for door: 51049129

SP 7: Spare part kit, Glass, Modern door: 51062177

POS.	ART. NO.	SALES NO.	NAME	LEGTH	QTY.
101	10048732		Fiberglass robe w. tape Ø8	0,5 m	1
102	10047432		Fiberglass rope Ø6 w tape	2 m	1
104	10059746		Frontglass		1
106	10007913		Glass gasket w. glue, 8x3mm, black	0,6 m	2
112	10051950		Silicone gasket for front glass		2

Date: 24-11-2022

Constructed /Changed by: rin/sr/Jm

Drawing number: 90184103

SCAN A/S
DK-5492 Vissenbjerg©



Spare parts & Accessories: Scan 84, Modern maxi

SP 8: Black cord Ø14 (hard), 3 m: 51044383

SP 9: Glass gasket w. glue, 8x3mm, black, 3 m: 51006569

SP 10: Fiberglass rope Ø6 w tape, 3 m: 51047489

SP 11: Fiberglass robe w. tape Ø8, 3 m: 51049791

Mantle

POS.	ART. NO.	SALES NO.	NAME	LEGTH	QTY.
130	12059473		Approval label, Scan 84		1
131	12061047		Assembly, top cover for stove w. rear outlet, BLACK PAINT		1
131			Assembly, top cover for stove w. rear outlet, GRAY PAINT		1
131			Assembly, top cover for stove w. rear outlet, WHITE PAINT		1
132		51061434	Back cover plate, high model, BLACK PAINT		1
132		51061435	Back cover plate, high model, GRAY PAINT		1
132		51061436	Back cover plate, high model, WHITE PAINT		1
133	10060929		Bushing for front cover bottom		2
134	10059986		Combustion chamber, assembly		1
135		51046799	Cover plate for lower front mantle		1
136	12061048		Cover plate, BLACK PAINT		1
136			Cover plate, GRAY PAINT		1
136			Cover plate, WHITE PAINT		1
137	10043740		Glass gasket ø14 (hard), black	0,4 m	2
138	12061030		Heat shield left		1
139	12061029		Heat shield right		1
140	10004753		Hex head screw with flange, M5 x 10, black		2
141	10004801		Hex socket button head, M5 x 12, ISO 7380-1 steel 010.9		2
142	10059742		Hex socket flat head, M5 x 12, black		2
143	10004816		Hex socket head cap, M5 x 10, black		4
144	10004812		Hex socket head cap, M5 x 12		4
145	10004838		Hex socket head cap, M5 x 16, black		6
146	12061039		holds plate for plastic insert		1
147		51061420	Insert for damperhandles		1
148		51061440	Left cover plate, maxi, BLACK PAINT		1
148		51061441	Left cover plate, maxi, GRAY PAINT		1
148		51061442	Left cover plate, maxi, WHITE PAINT		1
149	10007642		Lock nut M5, metal		4
150		51061431	Lower frontcover, maxi, assembly, BLACK PAINT		1
150		51061432	Lower frontcover, maxi, assembly, GRAY PAINT		1

Date: 24-11-2022

Constructed /Changed by: rin/sr/Jm

Drawing number: 90184103

SCAN A/S
DK-5492 Vissenbjerg©



Spare parts & Accessories: Scan 84, Modern maxi

Accessories

POS.	ART. NO.	SALES NO.	NAME	LEGTH	QTY.
150		51061433	Lower frontcover, maxi, assembly, WHITE PAINT		1
151	10046280		Popnut M5x12,3		6
152		51061443	Right coverplate, maxi welded, BLACK PAINT		1
152		51061444	Right coverplate, maxi welded, GRAY PAINT		1
152		51061445	Right coverplate, maxi welded, WHITE PAINT		1
153	10045985		Rubber grommet 19/27/33/3		4
154		51061425	Upper frontcover maxi, mounted, BLACK PAINT		1
154		51061426	Upper frontcover maxi, mounted, GRAY PAINT		1
154		51061427	Upper frontcover maxi, mounted, WHITE PAINT		1
155		51061452	Welded parts for top plate, BLACK PAINT		1
155		51061453	Welded parts for top plate, GRAY PAINT		1
155		51061454	Welded parts for top plate, WHITE PAINT		1

SP 12: Spare part kit, Sparepart kit Screws bolts: 51061518

SP 13: Spare part kit, Damper handle, 2pcs.: 51061421

AC 1: Compl. Top for soapstone rear: 51061131 BLACK PAINT

Compl. Top for soapstone rear: 51061499 GRAY PAINT

Compl. Top for soapstone rear: 51061500 WHITE PAINT

POS.	ART. NO.	SALES NO.	NAME	LEGTH	QTY.
202	10004753		Hex head screw with flange, M5 x 10, black		2
203	50060392		soapstone top for rear exit		1
200	12061138		Soapstone top, back exit welded		1
201	12061135		Underlay plate for top plate, welded		1

AC 2: Compl. Top for soapstone top outlet: 51061134 BLACK PAINT

Compl. Top for soapstone top outlet: 51061505 GRAY PAINT

Compl. Top for soapstone top outlet: 51061506 WHITE PAINT

POS.	ART. NO.	SALES NO.	NAME	LEGTH	QTY.
212	10004753		Hex head screw with flange, M5 x 10, black		2
213	50060391		soapstone top		1
211	12061139		Soapstone top, top exit welded		1
210	12061135		Underlay plate for top plate, welded		1

Date: 24-11-2022

Constructed /Changed by: rin/sr/Jm

Drawing number: 90184103

SCAN A/S
DK-5492 Vissenbjerg©



AC 3: Compl. Topplate for glass rear: 51061132 BLACK PAINT
Compl. Topplate for glass rear: 51061501 GRAY PAINT
Compl. Topplate for glass rear: 51061502 WHITE PAINT

POS.	ART. NO.	SALES NO.	NAME	LEGTH	QTY.
220	12061137		bolt welded top, back exit		1
221	10007639		M6 FL.nut Din 6923 galvanized Steel 8		2
222	10059991		W.glass rear top		1
223	12061135		Underlay plate for top plate, welded		1
224	10059983		Silicone washer Ø15 x 8,5 x 0,5		4

AC 4: Compl. Topplate for glass top outlet: 51061133 BLACK PAINT
Compl. Topplate for glass top outlet: 51061503 GRAY PAINT
Compl. Topplate for glass top outlet: 51061504 WHITE PAINT

POS.	ART. NO.	SALES NO.	NAME	LEGTH	QTY.
230	12061136		bolt welded top exit plate		1
231	10007639		M6 FL.nut Din 6923 galvanized Steel 8		2
232	10059983		Silicone washer Ø15 x 8,5 x 0,5		4
233	10059992		Top plate glass		1
234	12061135		Underlay plate for top plate, welded		1

AC 5: Revolving kit: 51046363

POS.	ART. NO.	SALES NO.	NAME	LEGTH	QTY.
240	20046724		Lock for revolving base. SCAN 83		2
241	12060562		Lock for revolving base. SCAN 84		2
242	10007990		Nut M8, Black		2
243	10046744		Revolving base, mounted		1
244	12022058		Revolving connecting piece		1

AC 6: Revolving connecting piece: 51045366

AC 7: Fresh air adapter: 51061392

POS.	ART. NO.	SALES NO.	NAME	LEGTH	QTY.
245	10003146		ø100 Sleeve with flange		1
246	10061112		Deep groove ball bearings single row with two low-friction seals SKF		1
247			Connector piece for second fresh air sleeve		1
248			Distance ring for fresh air adapter		2
249	10004798		Hex socket button head w. flange, M5 x 20		3
250			Welded parts for fresh air adapter		1
251	10004835		Hex socket button head w. flange, M5 x 16		4
252	10007617		Poprivet M3,2 x 7,9		4

Date: 24-11-2022

Constructed /Changed by: rin/sr/Jm

Drawing number: 90184103

SCAN A/S
DK-5492 Vissenbjerg©



AC 8:	Wood handle, white oak	51061103
AC 9:	Wood handle, mocca oak	51061104
AC 10:	Wood handle, golden oak	51061105
AC 11:	Small shaped floor plate, steel	51046364
AC 12:	Small shaped floor plate, corner, steel	51046365
AC 13:	Large floor plate, steel	51046366
AC 14:	Small shaped floor plate, glass	50046311
AC 15:	Small shaped floor plate, corner, glass	50046315
AC 16:	Large shaped floor plate, glass	50046313
AC 17:	Large floor plate, glass	50046312

AC 18: Heat accumulating stones: 50046310

POS.	ART. NO.	SALES NO.	NAME	LEGTH	QTY.
260	10046936		Set heat accumulating stone		1
261			Samling af dæksel i dæksel		1
262			Afstands ring til varmeakk. sten		1
263		51046849	Gasket for connectingpiece		1
264	10004838		Hex socket head cap, M5 x 16, black		4

AC 19: Steel parts for Heat accumulating stones: 51046904

Date: 24-11-2022

Constructed /Changed by: rin/sr/Jm

Drawing number: 90184103

SCAN A/S
DK-5492 Vissenbjerg©

