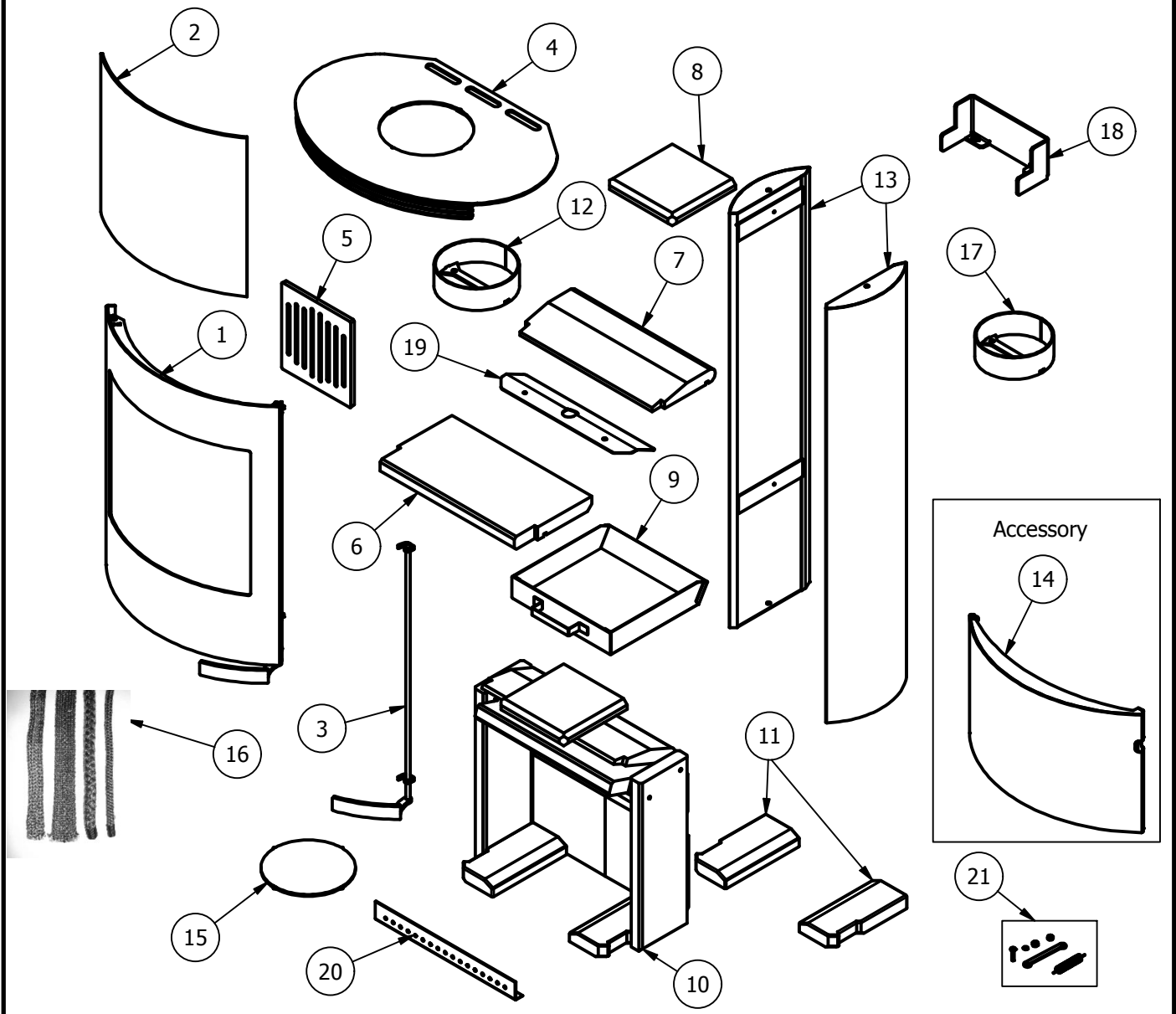
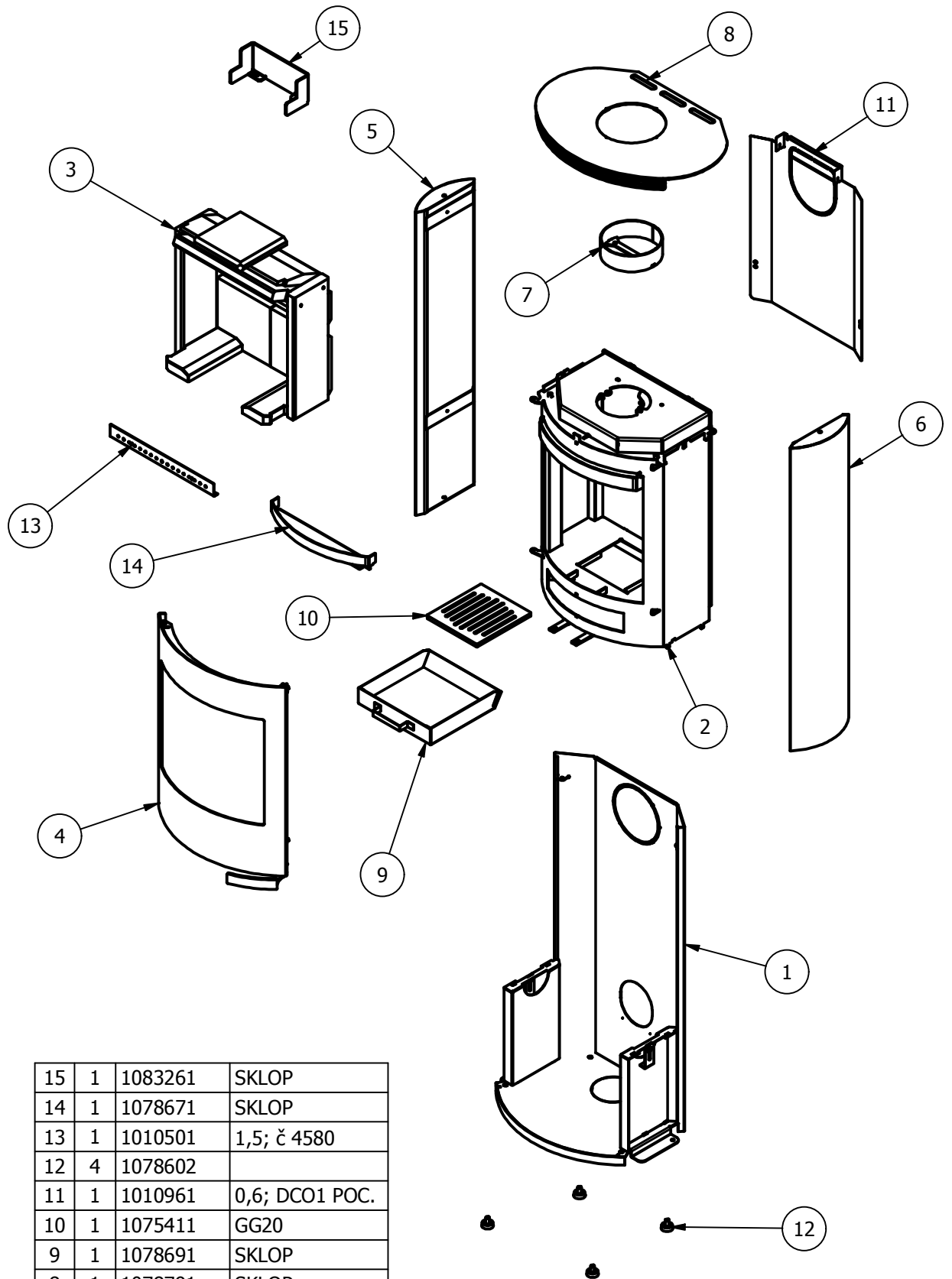


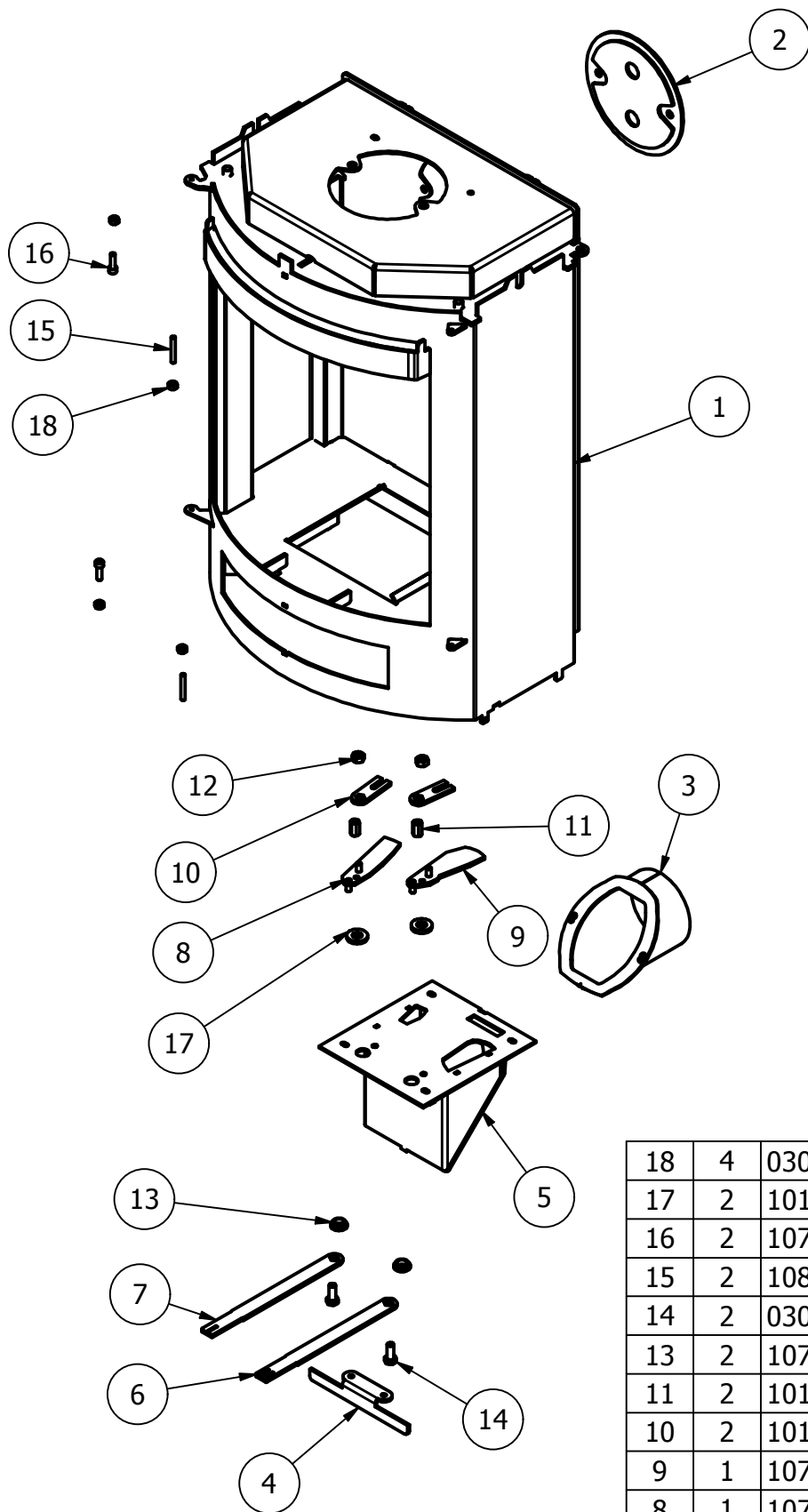
Spare parts Ild 9 ECO AP

Pos.	Market Name	Scan Item no.AP	Ext. supplier code
1	DOOR COMPL. ILD 9/10/11 ECO	50064281	5830128
2	GLASS FOR DOOR W/I 9/10/11	50054195	0105431
3	HANDLE COMPL. ILD 9/10/11 ECO	50064271	5830464
4	STEEL TOP COMPL. ILD 9/10/11	50054194	1078791
5	CASTIRON GRATE W/I 7/8/9/10/11	50054180	1075411
6	BAFFLE LOWER W/I 9/11 ECO	50064283	1083154
7	BAFFLE MIDDLE W/I 9/10/11	50054200	1083155
8	BAFFLE UPPER W/I 9/10/11 ECO	50064261	1083161
9	ASH PAN COMPL. W/I 9/10/11	50054203	1078691
10	KIT BURNPL+BAFFLES W/I 9+11 ECO	50064257	5830462
11	KIT BOTTOM STONES WARM/ILD 9/10/11	50064481	5830461
12	CONNECTING PIECE Ø160 W/I 7-15	50054193	1078861
13	KIT STEEL SIDES ILD 9	50054202	5830113
14	DOOR WOOD COMPART. ILD 9/10/11	50054328	5830108
15	TOP LID I/W 9-11	50064754	1078821
16	KIT GASKET W/I 7-15	50054189	5830106
17	CONNECTING PIECE Ø150 W/I 7-15	50064517	1078864
18	FLUE BAFFLE ST W/I 9/10/11 ECO	50064263	1083261
19	BRACKET MID BAFFLE ILD9/10/11	50064267	1010101
20	DECO-RAIL CB-BURNER W/I 9/10/11	50064479	1010501
72	LEVER & SPRING BA1 I/W 9-11	50064756	5830466





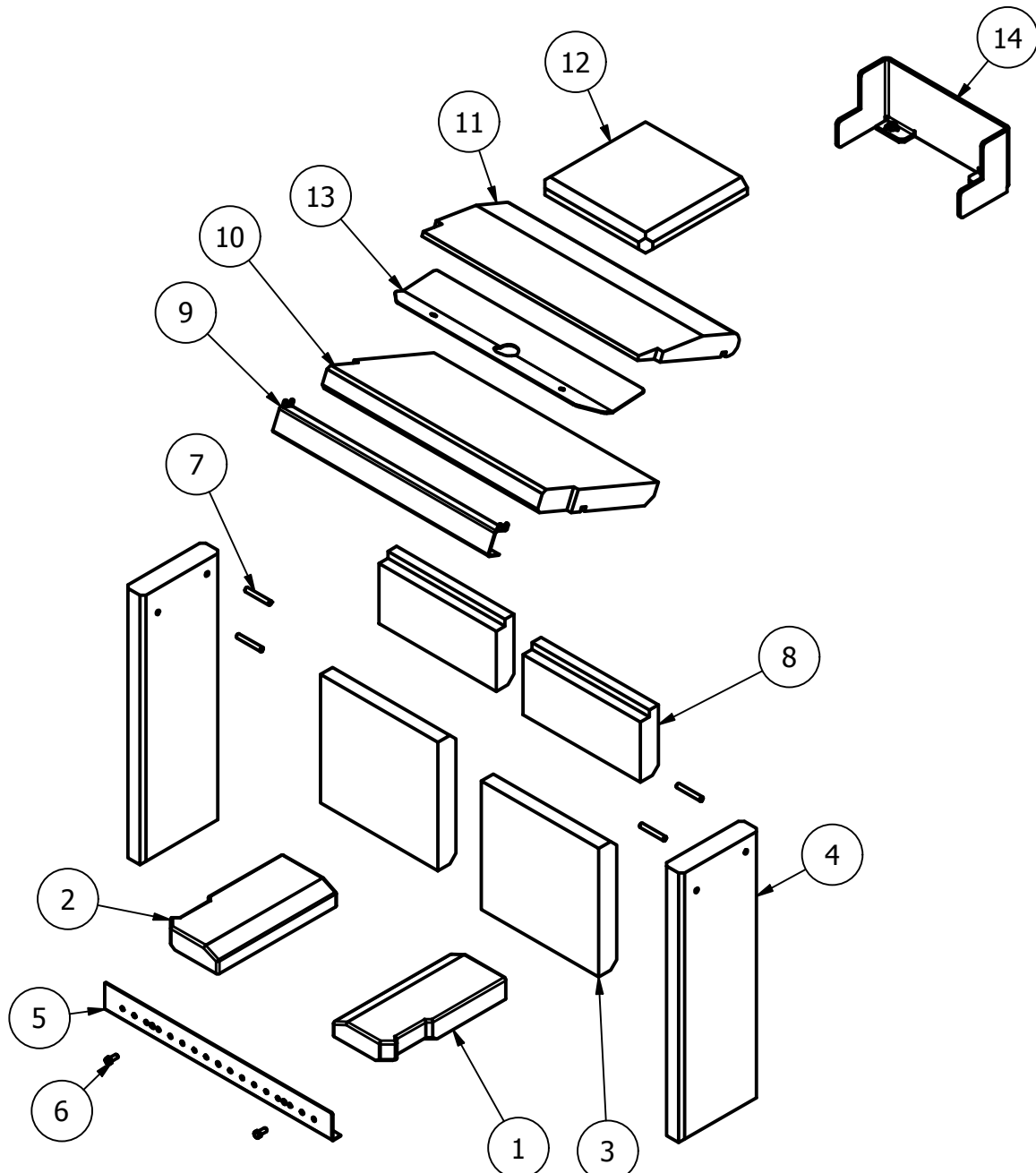
15	1	1083261	SKLOP
14	1	1078671	SKLOP
13	1	1010501	1,5; ě 4580
12	4	1078602	
11	1	1010961	0,6; DCO1 POC.
10	1	1075411	GG20
9	1	1078691	SKLOP
8	1	1078791	SKLOP
7	1	1078861	SKLOP
6	1	1078781	SKLOP
5	1	1078771	SKLOP
4	1	5830128	SKLOP
3	1	5830462	SKLOP
2	1	1078621	SKLOP
1	1	1078601	SKLOP
Pos.	QTY	CODE	Description



18	4	0307561	M6
17	2	1011181	≠4
16	2	1078933	M5x16
15	2	1083281	M6
14	2	0304875	M6x30
13	2	1078424	
11	2	1011301	
10	2	1011201	≠3
9	1	1078811	SKLOP
8	1	1078801	SKLOP
7	1	1011001	≠3
6	1	1011081	≠3
5	1	1078901	SKLOP
4	1	1010081	
3	1	1078711	SKLOP
2	1	1078681	SKLOP
1	1	1078721	SKLOP
Pos.	qty	CODE	Description

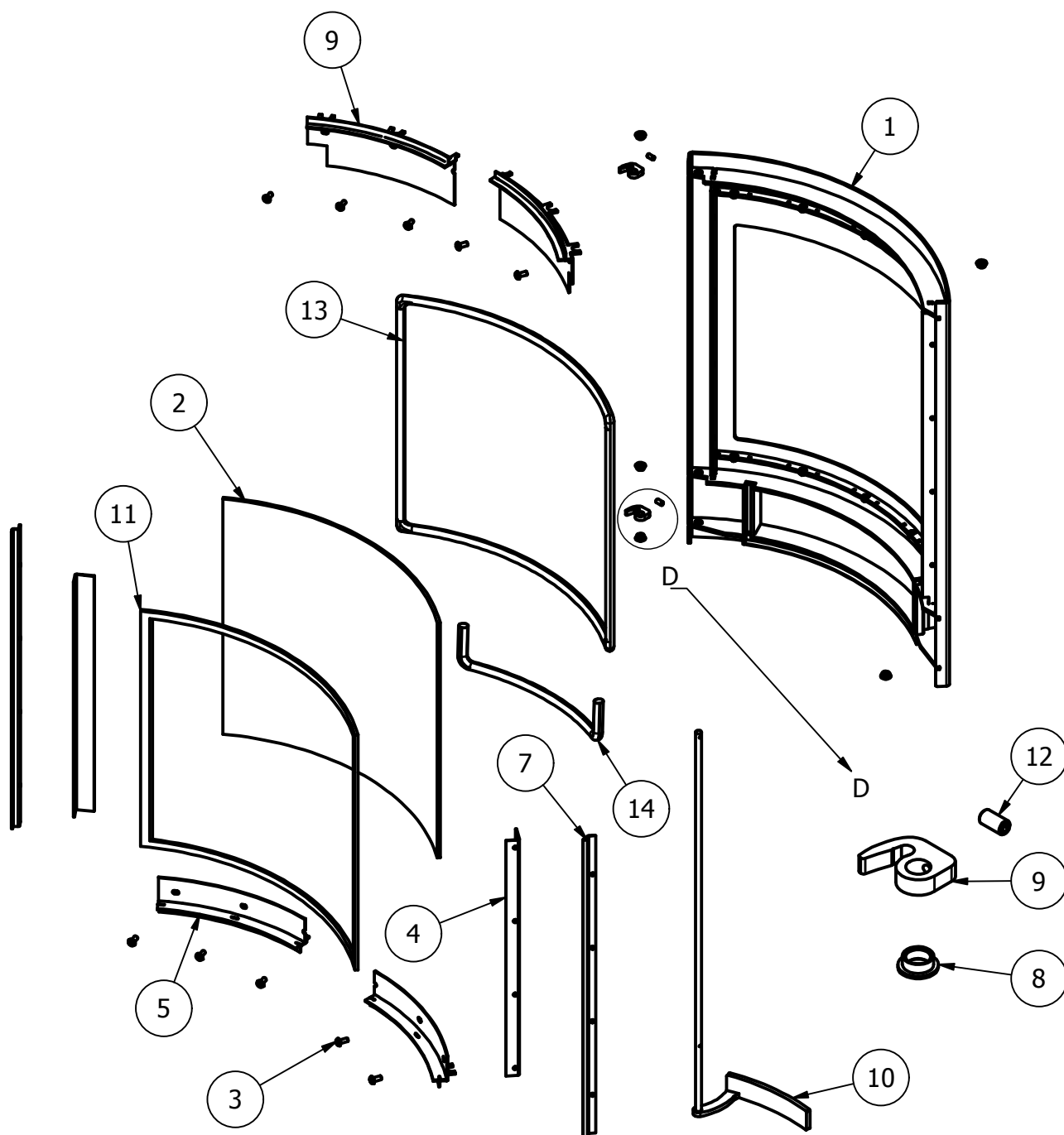
KIT BURNING PLATES + BAFFLES W/I 9+11 ECO (5830462)

14	1	1083261	SKLOP
13	1	1010101	≠1,5; Ć 4580
12	1	1083161	≠30; vermikulit
11	1	1083155	≠30; vermikulit
10	1	1083154	≠30; vermikulit
9	1	1010201	≠1,5; Ć 4580
8	2	0400652	≠30; vermikulit
7	4	1078804	Ø 6; Ć 4580
6	2	0302025	M5x10
5	1	1010501	≠1,5; Ć 4580
4	2	1083153	≠30; vermikulit
3	2	0400651	≠30; vermikulit
2	1	0400656	≠30; termobeton
1	1	0400657	≠30; termobeton
Pos.	QTY	CODE	Description

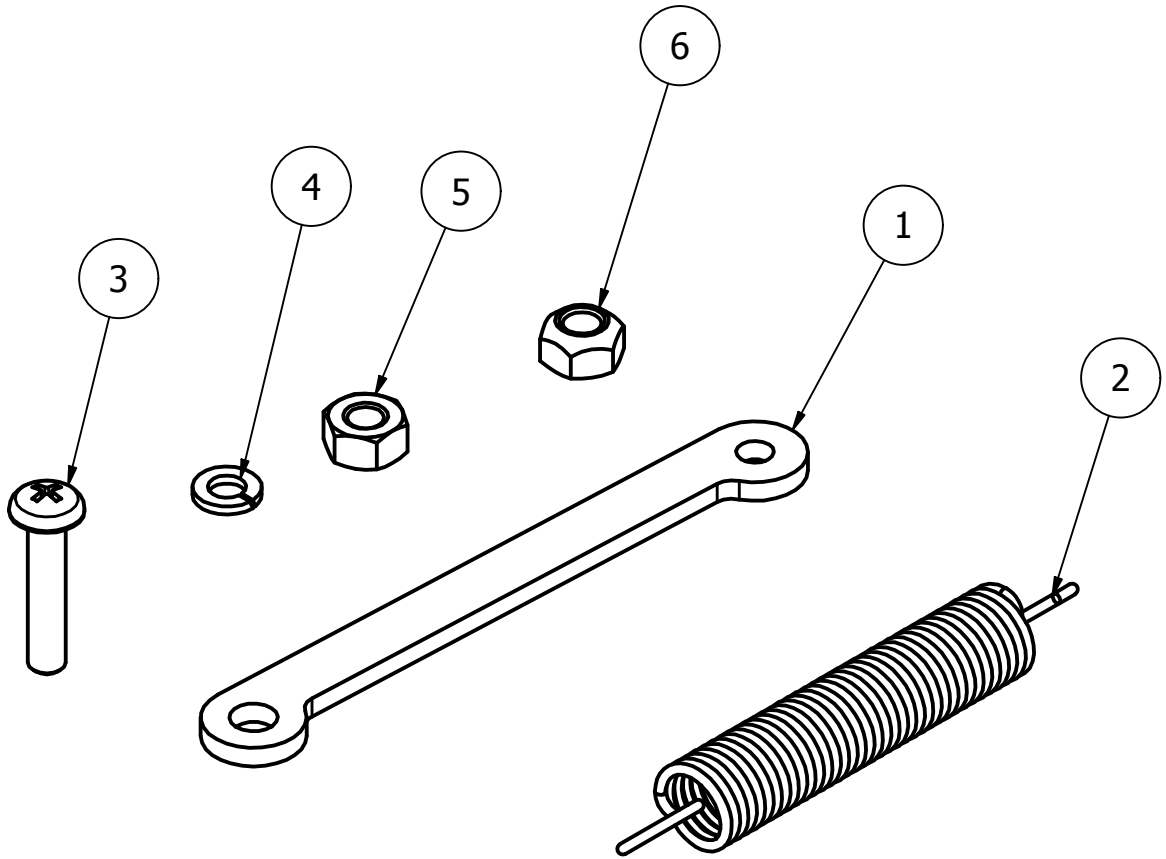


DOOR COMPLET ILD 9/10/11 ECO (5830128)

14	1	1080002	Ø12; stakleno vlakno
13	1	1080001	Ø12; stakleno vlakno
12	2	0305012	M4X8; DIN914
11	1	1080003	≠3x20; stakleno vlakno
10	1	1078701	sklop
9	2	1010981	≠6; Č 4580
8	5	1078437	Ø10/Ø8x5,5
7	2	1011341	≠1,5; DCO1
6	1	1078751	sklop
5	1	1078761	sklop
4	2	1011321	≠1,5; DCO1
3	10	0305195	M5x8*ISO 7380
2	1	0105431	≠4; staklo keramika
1	1	1078732	sklop
Pos.	QTY	CODE	Description



KIT LEVER & SPRING BA1 I/W 9-11 (5830466)



6	1	0307597	M6 (DIN980)
5	1	0307523	M6 (DIN 936)
4	1	0309759	A6 (SRPS M.B2.111)
3	1	0304691	M6x25 (DIN 7985)
2	1	1079183	ø1,5; 1.4310
1	1	1079184	≠3; S235JR
Pos.	QTY	CODE	Description