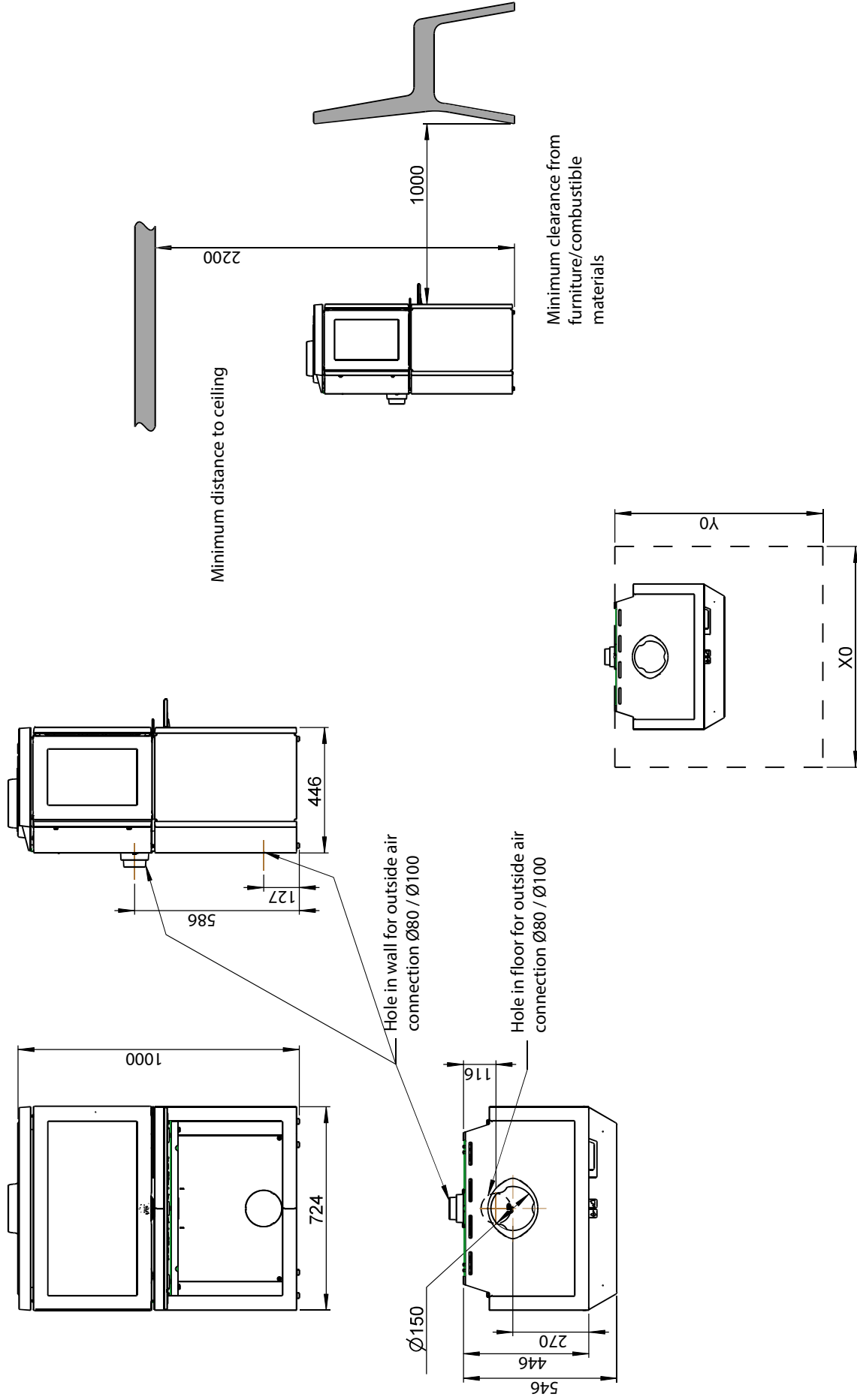
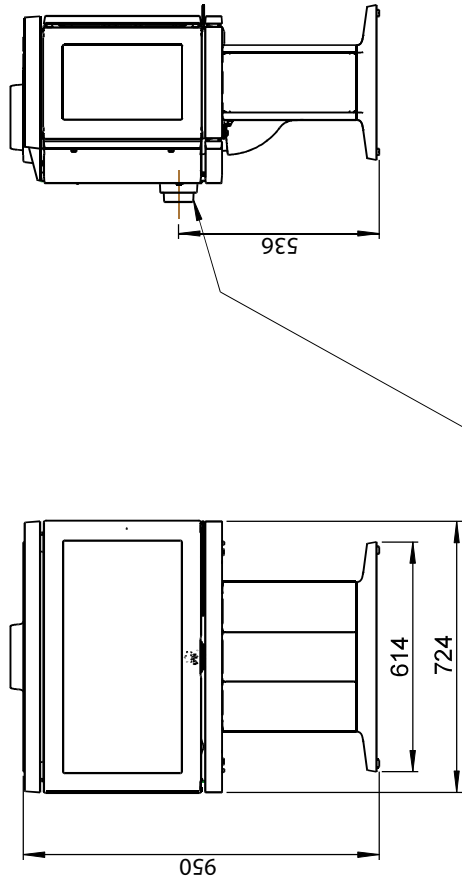


# Jøtul F 620 B



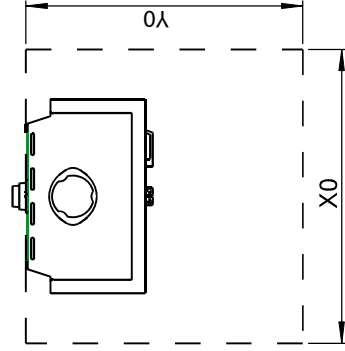
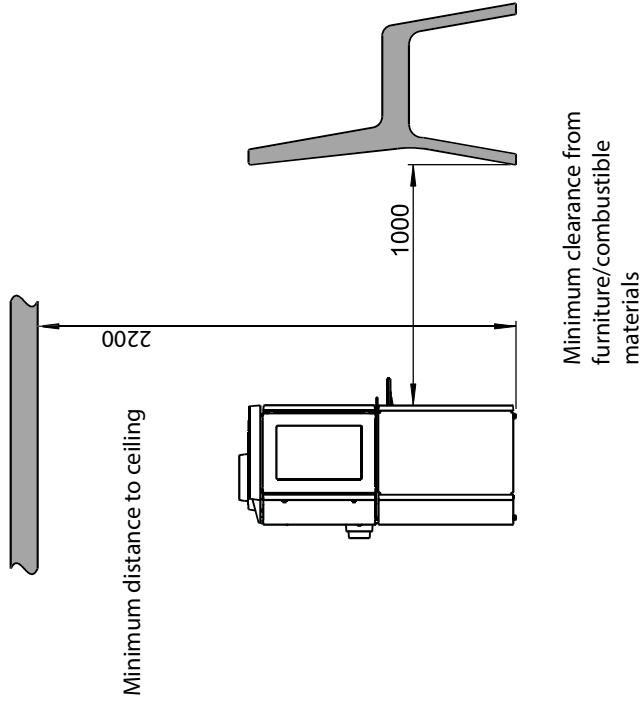
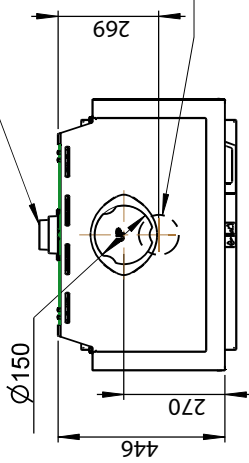
Min. dimensions for floor plate  
 X/Y = in compliance with national laws and regulations

# Jøtul F 620 P



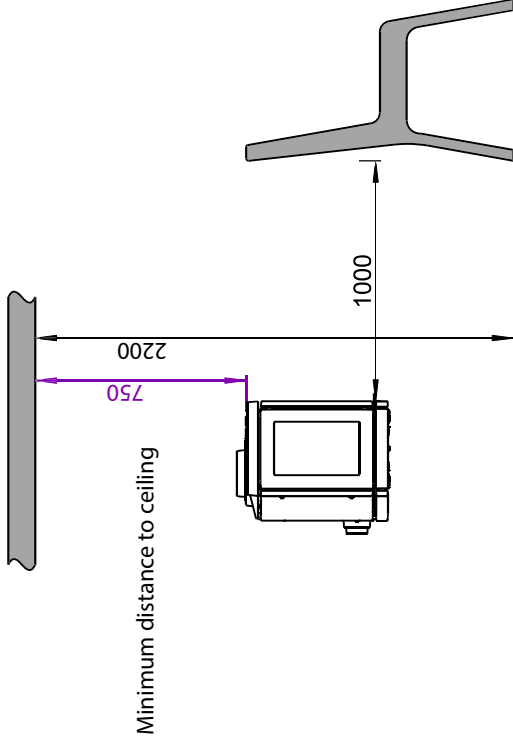
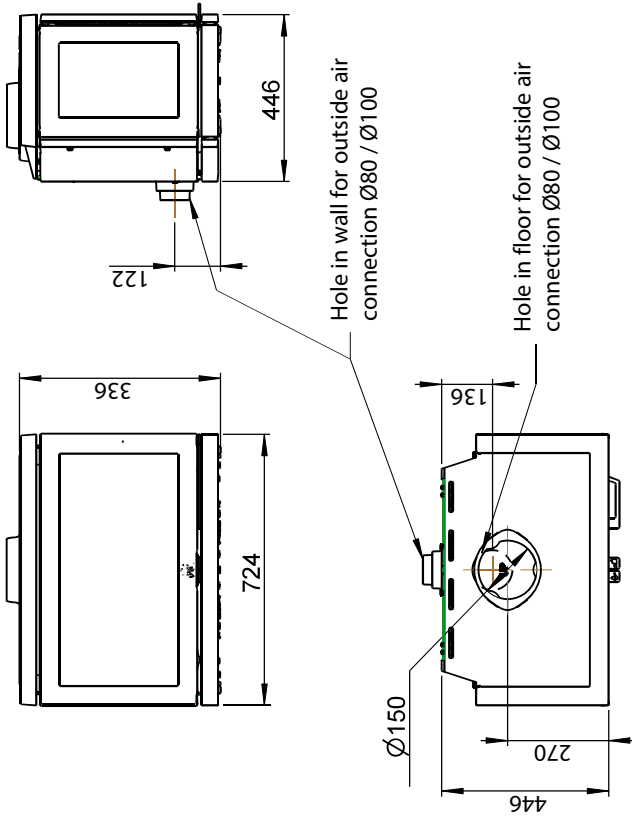
Hole in wall for outside air connection  
Ø80 / Ø100

Hole in floor for outside air connection  
Ø80 / Ø100

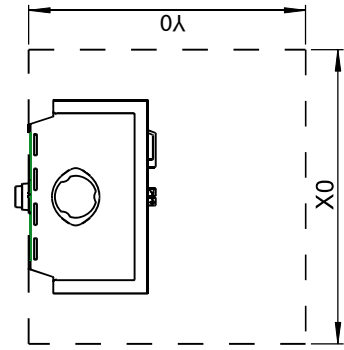


Min. dimensions for floor plate  
X/Y = in compliance with national laws and regulations

# Jøtul F 620 LB

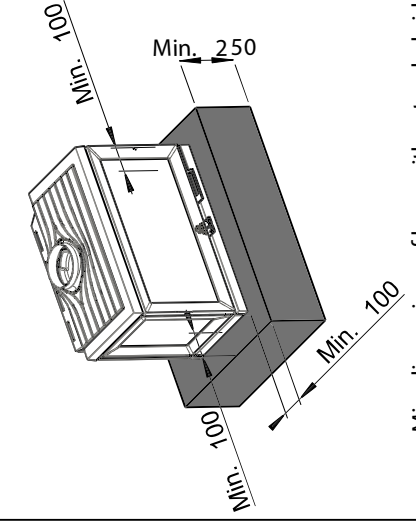


Minimum clearance from furniture/combustible materials



Min. dimensions for floor plate  
 X/Y = in compliance with national laws and regulations

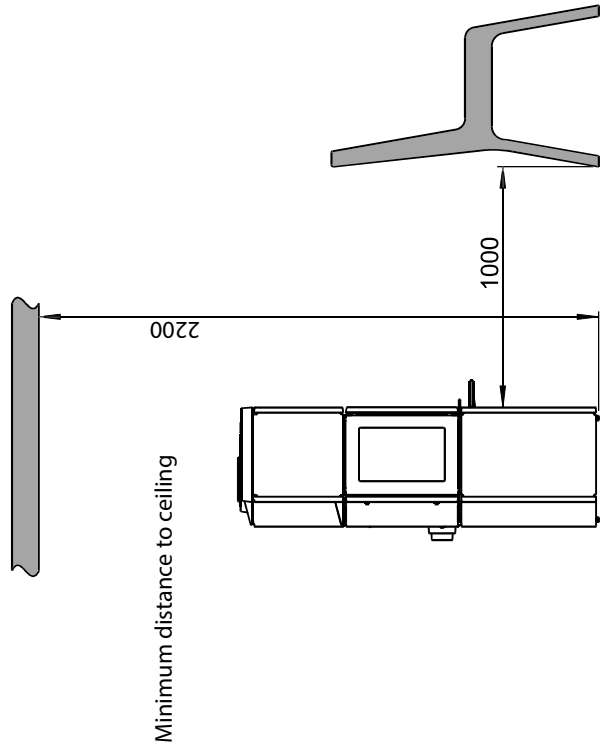
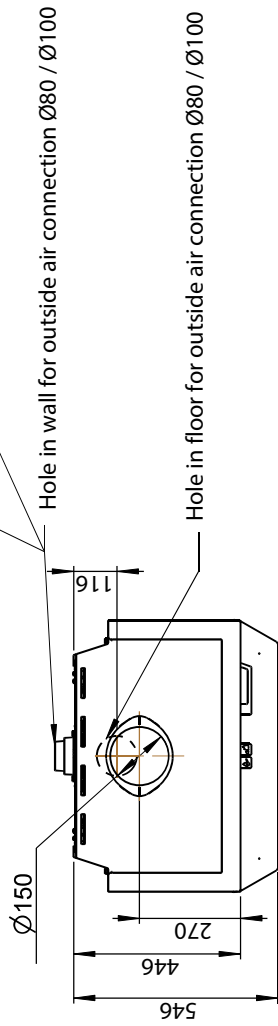
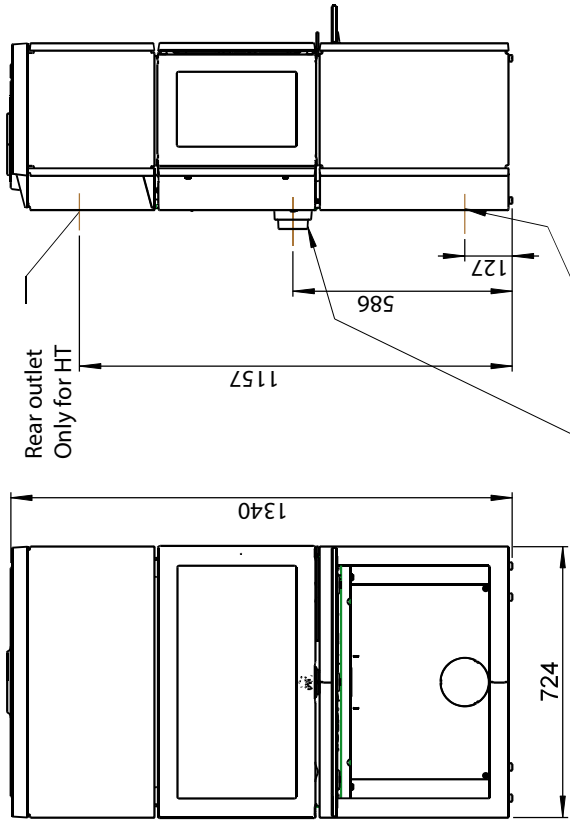
Min. dimensions of base



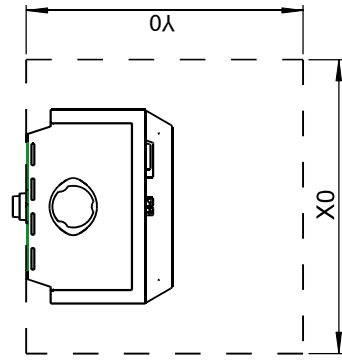
Min. dimensions of base with extended side

Min. dimensions of base

# Jøtul F 620 B HT



Minimum clearance from furniture/combustible materials



Min. dimensions for floor plate  
X/Y = in compliance with national laws and regulations

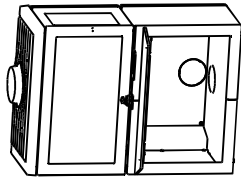


F 620: Minimum distance to combustible wall

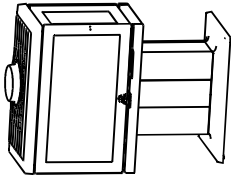
With semi-insulated chimney/shielded flue pipe all the way down to the product

Combustible wall

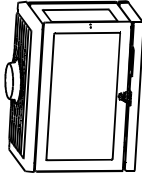
F 620 B



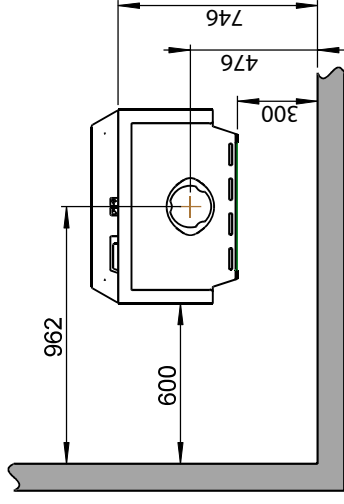
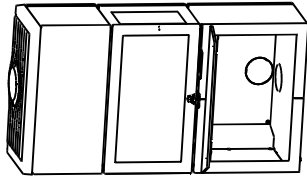
F 620 P



F 620 LB



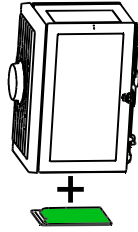
F 620 B HT



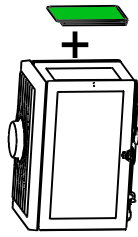
F 620 B / F 620 P / F 620 LB / F 620 B HT

- With retrofitted cast iron side

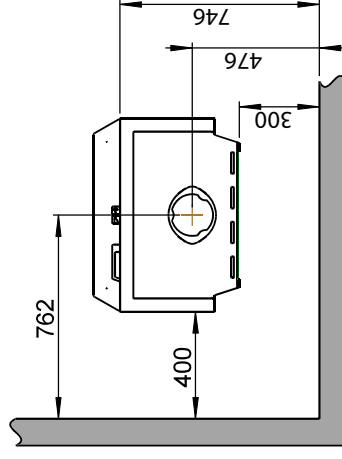
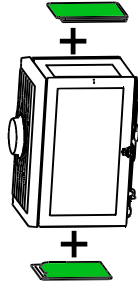
FR



FL



F

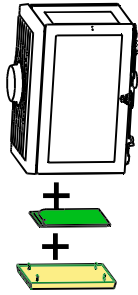


F 620 B / F 620 P / F 620 LB / F 620 B HT

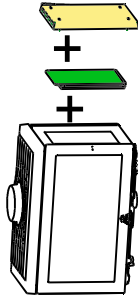
- With retrofitted cast iron side and convection kit side

- With retrofitted convection kit rear

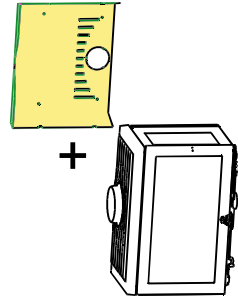
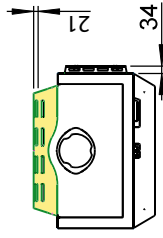
FR  
Convection kit side



FL  
Convection kit side



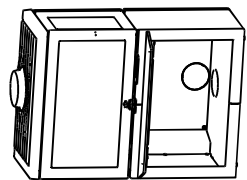
Convection kit rear



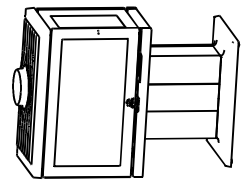
F 620: Minimum distance to combustible wall protected by approved fireproof wall

Combustible wall  
Firewall (See Chapter 3.3 in the manual)

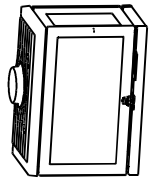
F 620 B



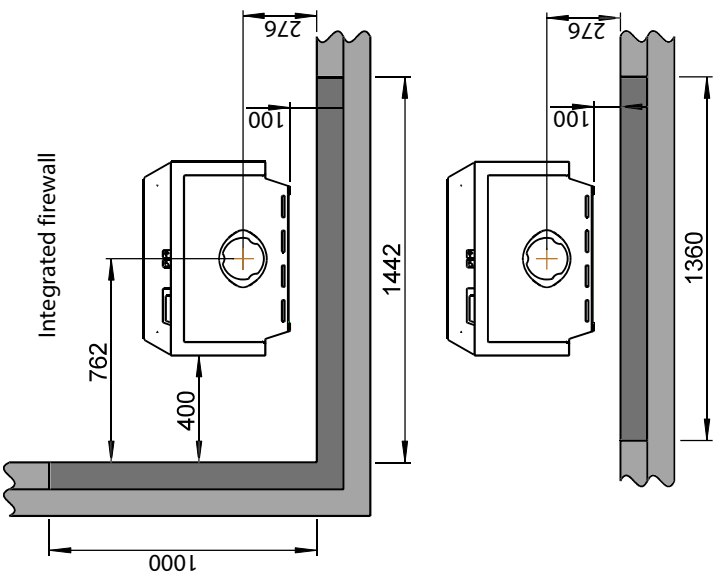
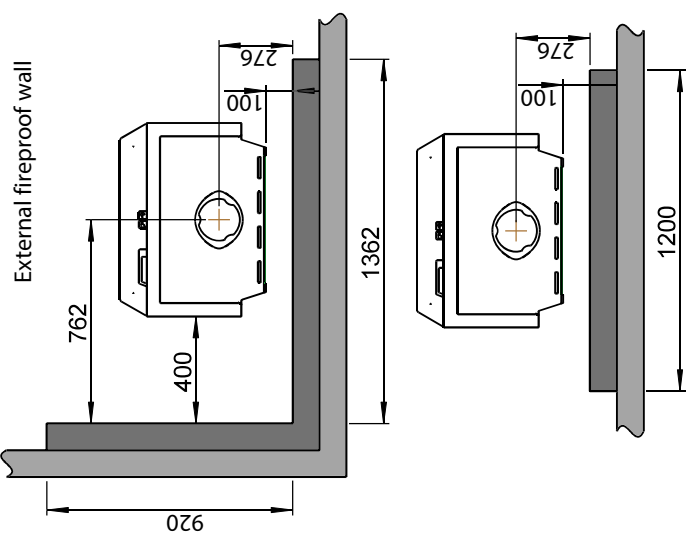
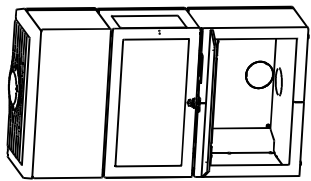
F 620 P



F 620 LB

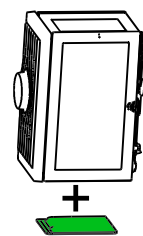


F 620 B HT

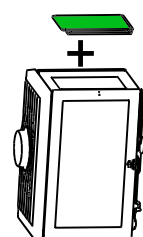


F 620 B / F 620 P / F 620 LB / F 620 HT  
- With retrofitted cast iron side

FR



FL



F

